

PETRARCH MECHANICAL SECRET FIXED SYSTEM

1. COVER PAGE
2. BASE DETAIL
- 2A. BASE DETAIL W/FLASHING
3. TYPICAL HORIZONTAL JOINT
4. OPTIONAL HORIZONTAL JOINT DETAIL BIRDS BEAK PROFILE (OPTIONAL)
5. TYPICAL HORIZONTAL JOINT AND RAIL JOINT DETAIL (OPTIONAL)
6. OPTIONAL HORIZONTAL JOINT AND RAIL JOINT DETAIL W/ BIRDS BEAK PROFILE (OPTIONAL)
7. COPING DETAIL
8. TYPICAL VERTICAL JOINT DETAIL
9. OPTIONAL VERTICAL JOINT DETAIL
10. TYPICAL VERTICAL JOINT AND RAIL JOINT DETAIL
11. OPTIONAL VERTICAL JOINT AND RAIL JOINT DETAIL
12. OPTIONAL VERTICAL JOINT (MARTLET JOINT)
13. INTERMEDIATE SUPPORT DETAIL
14. OUTSIDE CORNER DETAIL (OPEN CORNER)
15. OUTSIDE CORNER DETAIL (CLOSED CORNER)
16. OUTSIDE CORNER DETAIL (CHAMFERED CORNER)
17. OUTSIDE CORNER DETAIL (SQUARED CORNER)
18. OUTSIDE CORNER DETAIL (2MM BIRDS BEAK MITRE CORNER)
19. INSIDE CORNER DETAIL
20. WINDOW SILL DETAIL
21. WINDOW HEAD DETAIL
22. WINDOW HEAD DETAIL (CANTILEVERED)
23. WINDOW JAMB DETAIL
24. WINDOW JAMB DETAIL (CANTILEVERED)
25. WINDOW JAMB DETAIL (CANTILEVERED)
26. RAILS
27. PANEL HANGERS
28. SITE ASSEMBLED CORNER & PANEL HANGER GUIDELINES

SUBSTRATE: VARIES

INSULATION: BY OTHERS (ALL)

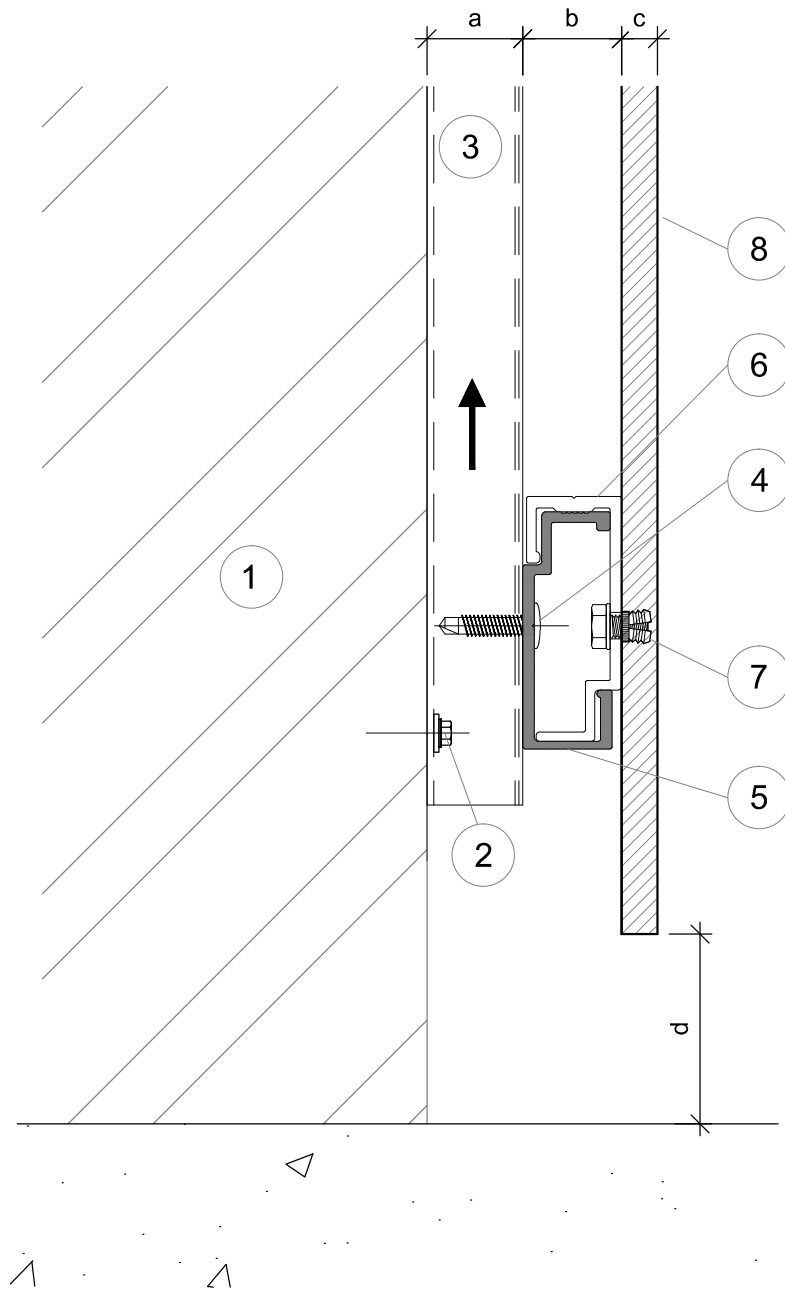
CLADDING: PETRARCH PANEL

DATE: 08-13-2021

GIRT ORIENTATION: VERTICAL

COVER PAGE

NOT TO SCALE



Items	
1	Substrate (By Others)
2	Primary fixing will vary subject to substrate composition
3	Aluminum or Steel sub-framing
4	Elco Bi-Flex # 1/4-14 EAJ415 1 " Long 3/8 Hex Head 300 Series Stainless Steel and corrosion resistant Self Driller 2 PT.
5	Horizontal Carrier Rail
6	Standard Panel Hanger
7	PA4 Fischer Insert /M6x12 S/S bolt Washer
8	Petrarch Cladding Panel

Dimensions	
a	Free vertical ventilation gap must be at least 1" and as recommended by local building regs.
b	HCR+ PH (1 $\frac{1}{32}$ ")
c	$\frac{3}{8}$ " Panel nominal thickness (10mm)
d	2" From grade

* Note! dimension may vary due to the shimming requirement for plumbing and alignment of rails

SUBSTRATE: VARIES

INSULATION: BY OTHERS (ALL)

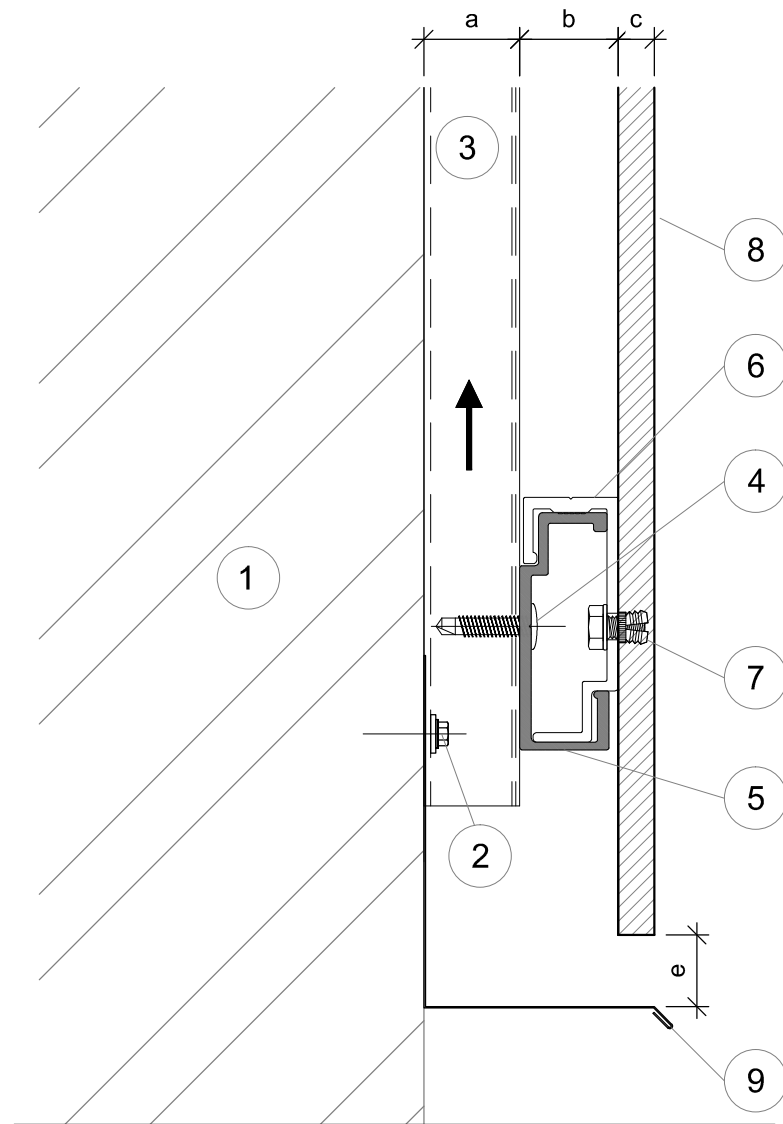
CLADDING: PETRARCH PANEL

DATE: 08-13-2021

GIRT ORIENTATION: VERTICAL

BASE DETAIL

NOT TO SCALE



Items	
1	Substrate (By Others)
2	Primary fixing will vary subject to substrate composition
3	Aluminum or Steel sub-framing
4	Elco Bi-Flex # 1/4-14 EAJ415 1" Long 3/8 Hex Head 300 Series Stainless Steel and corrosion resistant Self Driller 2 PT.
5	Horizontal Carrier Rail
6	Standard Panel Hanger
7	PA4 Fischer Insert /M6x12 S/S bolt Washer
8	Petrarch Cladding Panel
9	Base flashing to project detail (by others)

Dimensions	
a	Free vertical ventilation gap must be at least 1" and as recommended by local building regs.
b	HCR+ PH (1/32")
c	3/8" Panel nominal thickness (10mm)
e	3/4" Base distance from flashing

* Note! dimension may vary due to the shimming requirement for plumbing and alignment of rails

SUBSTRATE: VARIES

INSULATION: BY OTHERS (ALL)

CLADDING: PETRARCH PANEL

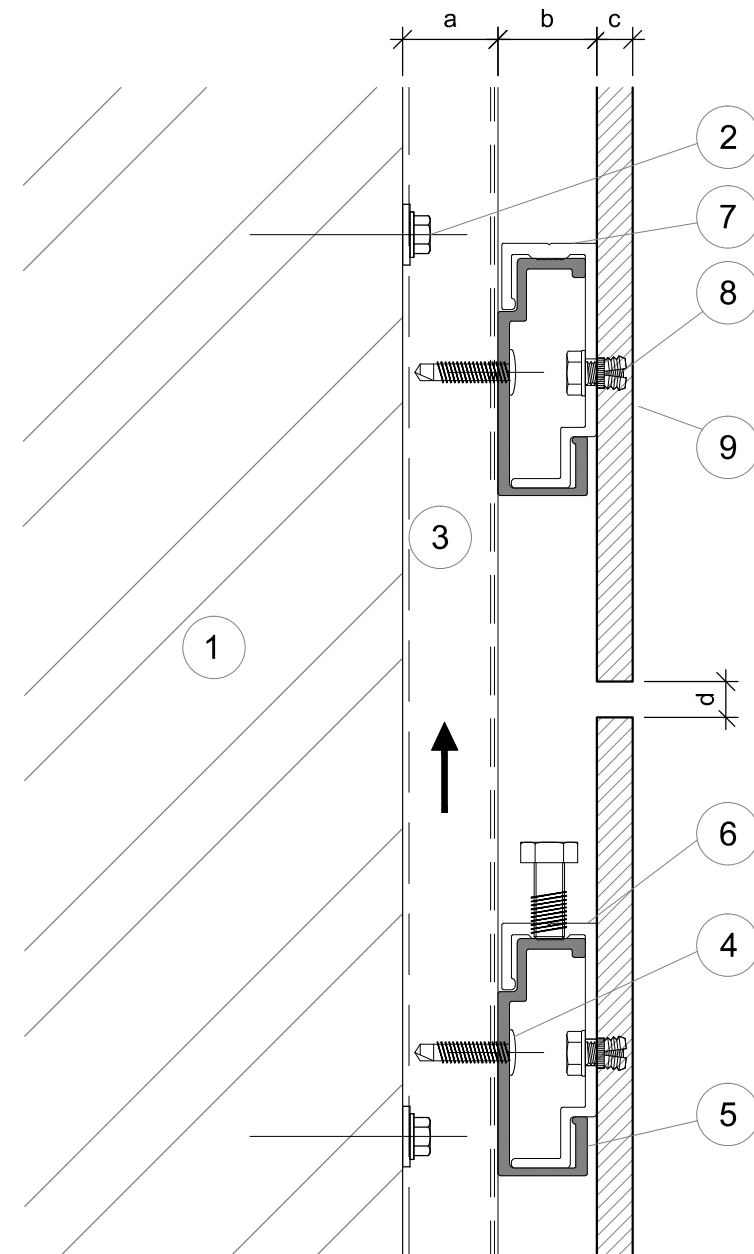
DATE: 08-13-2021

GIRT ORIENTATION: VERTICAL

BASE DETAIL W / FLASHING

NOT TO SCALE

2A



Items	
1	Substrate (By Others)
2	Primary fixing will vary subject to substrate composition
3	Aluminum or Steel sub-framing
4	Elco Bi-Flex # 1/4-14 EAJ415 1" Long 3/8 Hex Head 300 Series Stainless Steel and corrosion resistant Self Driller 2 PT.
5	Horizontal Carrier Rail
6	Adjustable Panel Hanger
7	Standard Panel Hanger
8	PA4 Fischer Insert /M6x12 S/S bolt Washer
9	Petrarch Cladding Panel

Dimensions	
a	Free vertical ventilation gap must be at least 1" and as recommended by local building regs.
b	HCR+ PH (1 1/32")
c	3/8" Panel nominal thickness (10mm)
d	Panel joint 3/8"

* Note! dimension may vary due to the shimming requirement for plumbing and alignment of rails

SUBSTRATE: VARIES

INSULATION: BY OTHERS (ALL)

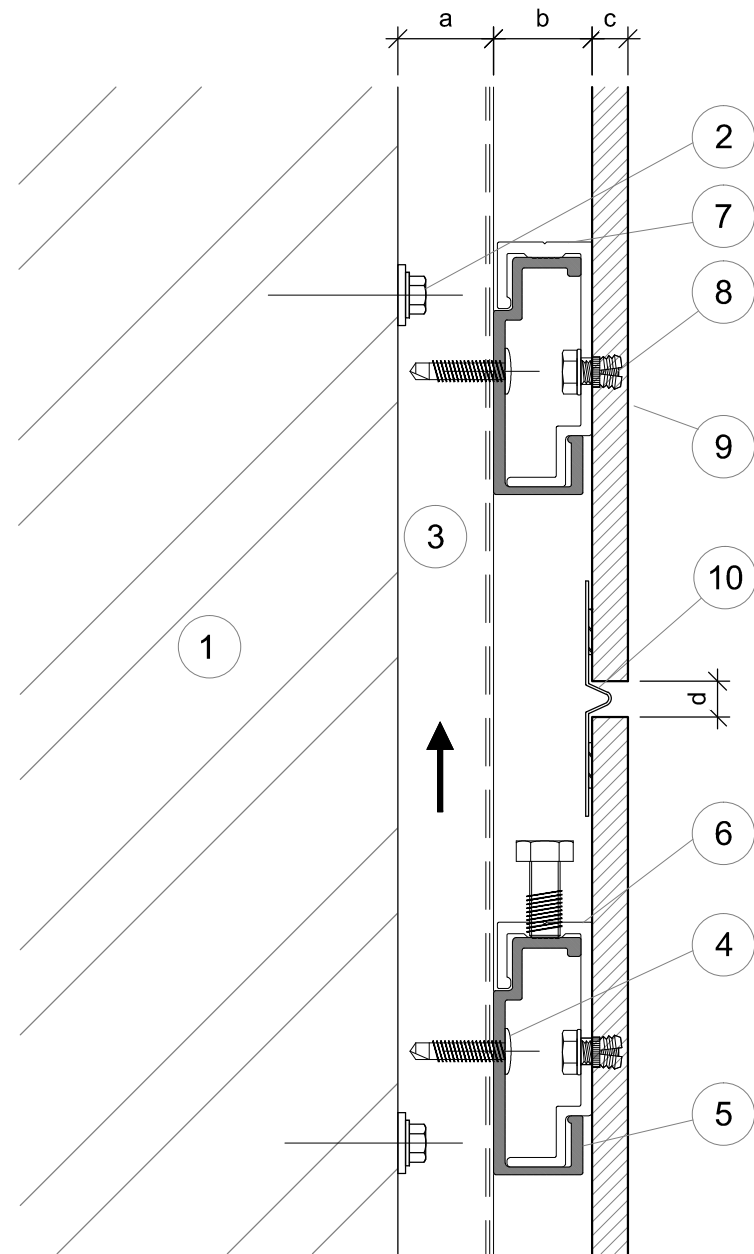
CLADDING: PETRARCH PANEL

DATE: 08-13-2021

GIRT ORIENTATION: VERTICAL

TYPICAL HORIZONTAL JOINT DETAIL

NOT TO SCALE



OPTIONAL DETAIL

Items	
1	Substrate (By Others)
2	Primary fixing will vary subject to substrate composition
3	Aluminum or Steel sub-framing
4	Elco Bi-Flex # 1/4-14 EAJ415 1" Long 3/8 Hex Head 300 Series Stainless Steel and corrosion resistant Self Driller 2 PT.
5	Horizontal Carrier Rail
6	Adjustable Panel Hanger
7	Standard Panel Hanger
8	PA4 Fischer Insert /M6x12 S/S bolt Washer
9	Petrarch Cladding Panel
10	Birds Beak Profile (optional)

Dimensions	
a	Free vertical ventilation gap must be at least 1" and as recommended by local building regs.
b	HCR+ PH (1 ¹ / ₃₂ ")
c	³ / ₈ " Panel nominal thickness (10mm)
d	Panel joint ³ / ₈ "

* Note! dimension may vary due to the shimming requirement for plumbing and alignment of rails

SUBSTRATE: VARIES

INSULATION: BY OTHERS (ALL)

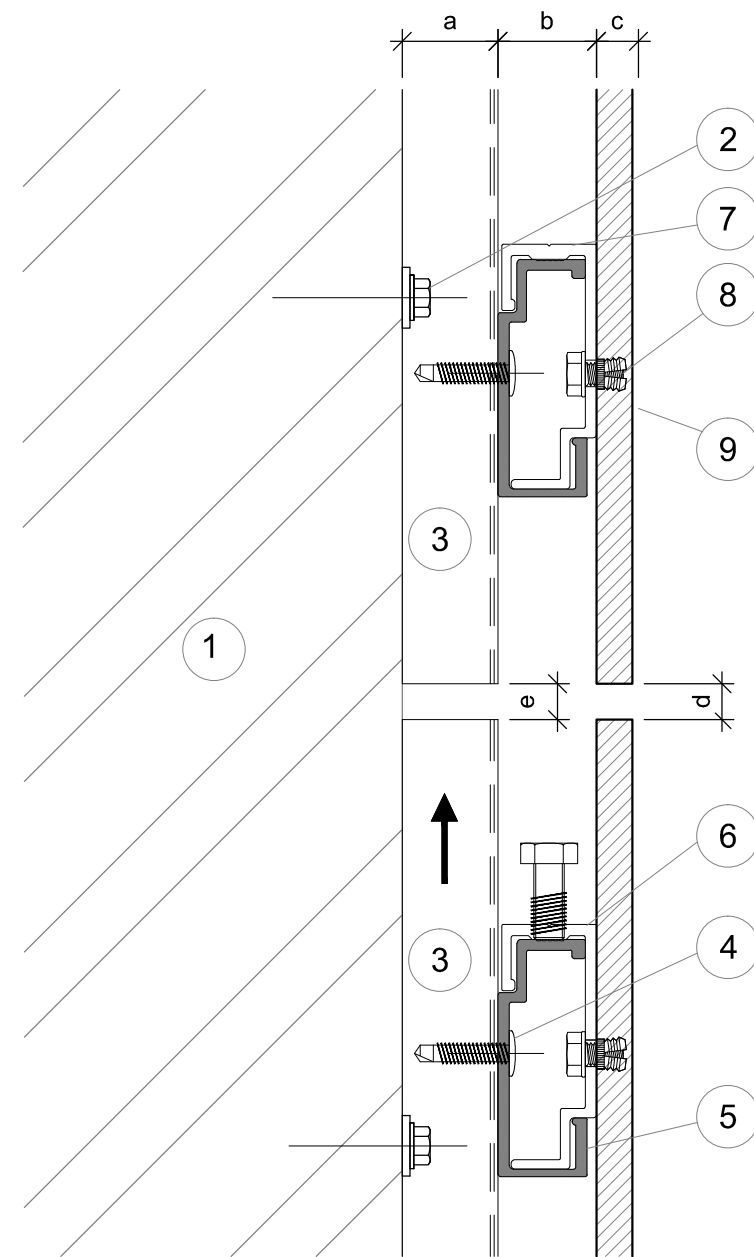
CLADDING: PETRARCH PANEL

DATE: 08-13-2021

GIRT ORIENTATION: VERTICAL

OPTIONAL HORIZONTAL JOINT DETAIL

NOT TO SCALE



Items	
1	Substrate (By Others)
2	Primary fixing will vary subject to substrate composition
3	Aluminum or Steel sub-framing
4	Elco Bi-Flex # 1/4-14 EAJ415 1 " Long 3/8 Hex Head 300 Series Stainless Steel and corrosion resistant Self Driller 2 PT.
5	Horizontal Carrier Rail
6	Adjustable Panel Hanger
7	Standard Panel Hanger
8	PA4 Fischer Insert /M6x12 S/S bolt Washer
9	Petrarch Cladding Panel

Dimensions	
a	Free vertical ventilation gap must be at least 1" and as recommended by local building regs.
b	HCR+ PH ($1\frac{1}{32}$ ")
c	$\frac{3}{8}$ " Panel nominal thickness (10mm)
d	Panel joint $\frac{3}{8}$ "
e	Rail joint Minimum $\frac{3}{8}$ "

* Note! dimension may vary due to the shimming requirement for plumbing and alignment of rails

SUBSTRATE: VARIES

INSULATION: BY OTHERS (ALL)

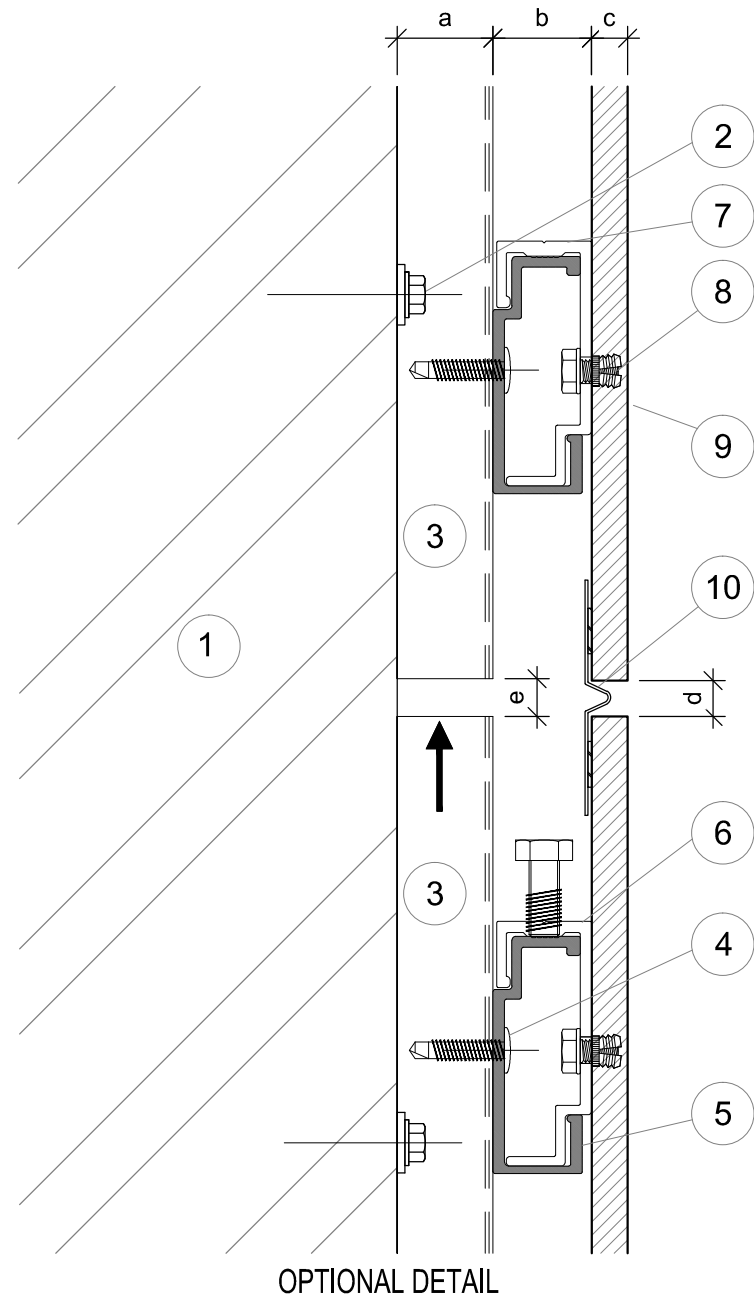
CLADDING: PETRARCH PANEL

DATE: 08-13-2021

GIRT ORIENTATION: VERTICAL

TYPICAL HORIZONTAL JOINT AND RAIL JOINT DETAIL

NOT TO SCALE



Items	
1	Substrate (By Others)
2	Primary fixing will vary subject to substrate composition
3	Aluminum or Steel sub-framing
4	Elco Bi-Flex # 1/4-14 EAJ415 1" Long 3/8 Hex Head 300 Series Stainless Steel and corrosion resistant Self Driller 2 PT.
5	Horizontal Carrier Rail
6	Adjustable Panel Hanger
7	Standard Panel Hanger
8	PA4 Fischer Insert /M6x12 S/S bolt Washer
9	Petrarch Cladding Panel
10	Birds Beak Profile (optional)

Dimensions	
a	Free vertical ventilation gap must be at least 1" and as recommended by local building regs.
b	HCR+ PH (1 $\frac{1}{32}$ ")
c	$\frac{3}{8}$ " Panel nominal thickness (10mm)
d	Panel joint $\frac{3}{8}$ "
e	Rail joint Minimum $\frac{3}{8}$ "

* Note! dimension may vary due to the shimming requirement for plumbing and alignment of rails

SUBSTRATE: VARIES

INSULATION: BY OTHERS (ALL)

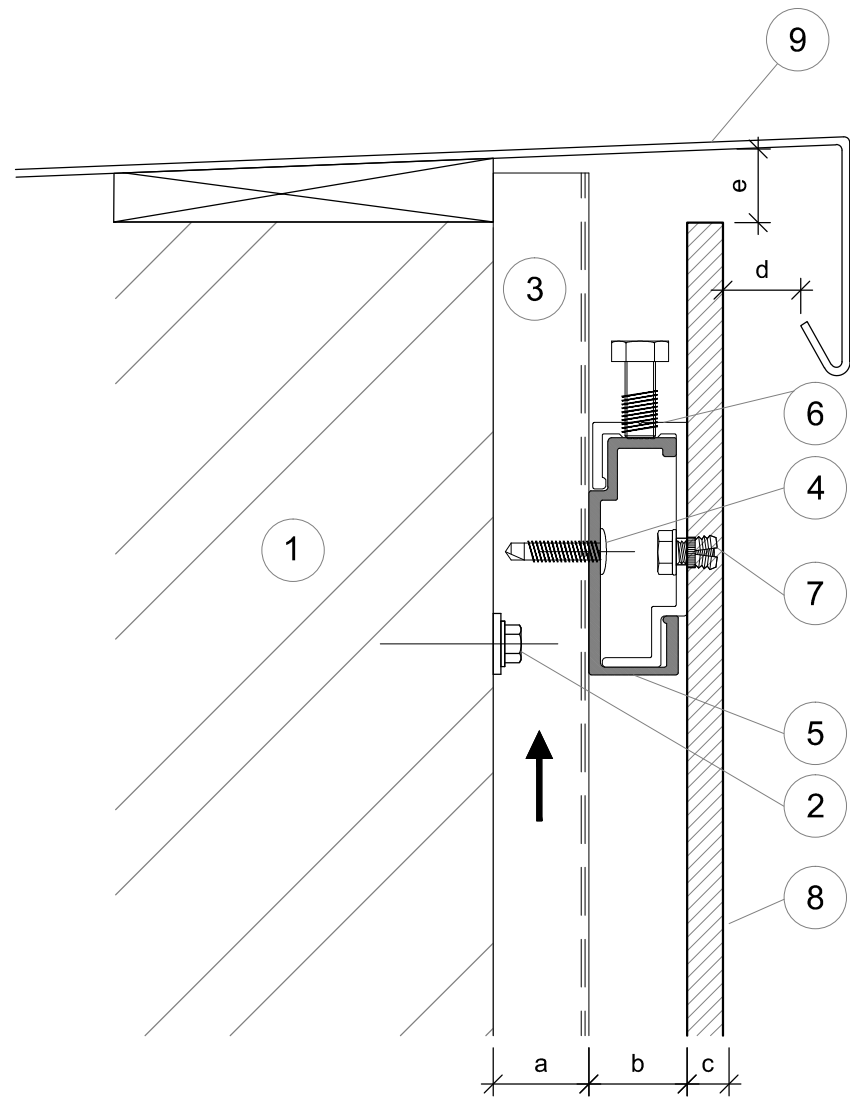
CLADDING: PETRARCH PANEL

DATE: 08-13-2021

GIRT ORIENTATION: VERTICAL

OPTIONAL HORIZONTAL JOINT AND RAIL JOINT DETAIL **6**

NOT TO SCALE



Items	
1	Substrate (By Others)
2	Primary fixing will vary subject to substrate composition
3	Aluminum or Steel sub-framing
4	Elco Bi-Flex # 1/4-14 EAJ415 1" Long 3/8 Hex Head 300 Series Stainless Steel and corrosion resistant Self Driller 2 PT.
5	Horizontal Carrier Rail
6	Adjustable Panel Hanger
7	PA4 Fischer Insert /M6x12 S/S bolt Washer
8	Petrarch Cladding Panel
9	Coping detail to project requirement (By Others)

Dimensions	
a	Free vertical ventilation gap must be at least 1" and as recommended by local building regs.
b	HCR+ PH (1 $\frac{1}{32}$ ")
c	$\frac{3}{8}$ " Panel nominal thickness (10mm)
d	$\frac{3}{4}$ " Panel to flashing distance
e	$\frac{3}{4}$ " distance

* Note! dimension may vary due to the shimming requirement for plumbing and alignment of rails

SUBSTRATE: VARIES

INSULATION: BY OTHERS (ALL)

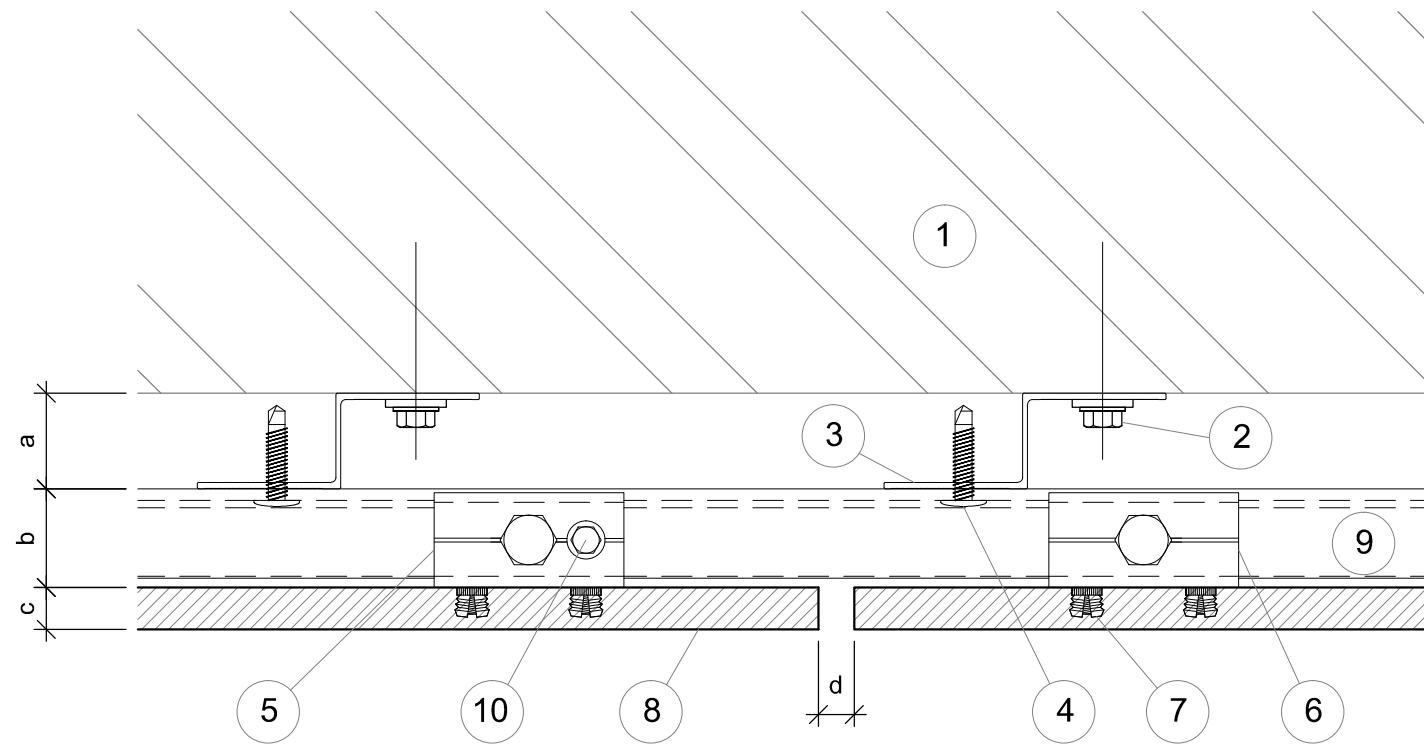
CLADDING: PETRARCH PANEL

DATE: 08-13-2021

GIRT ORIENTATION: VERTICAL

COPING DETAIL

NOT TO SCALE



Items	
1	Substrate (By Others)
2	Primary fixing will vary subject to substrate composition
3	Aluminum or Steel sub-framing
4	Elco Bi-Flex # 1/4-14 EAJ415 1" Long 3/8 Hex Head 300 Series Stainless Steel and corrosion resistant Self Driller 2 PT.
5	Adjustable Fix Panel Hanger
6	Adjustable Panel Hanger
7	PA4 Fischer Insert /M6x12 S/S bolt Washer
8	Petrarch Cladding Panel
9	Horizontal Carrier Rail
10	Locking screw 5.5 x 3.3

Dimensions	
a	Free vertical ventilation gap must be at least 1" and as recommended by local building regs.
b	HCR+ PH (1 $\frac{1}{32}$ ")
c	$\frac{3}{8}$ " Panel nominal thickness (10mm)
d	Panel joint $\frac{3}{8}$ "

* Note! dimension may vary due to the shimming requirement for plumbing and alignment of rails

SUBSTRATE: VARIES

INSULATION: BY OTHERS (ALL)

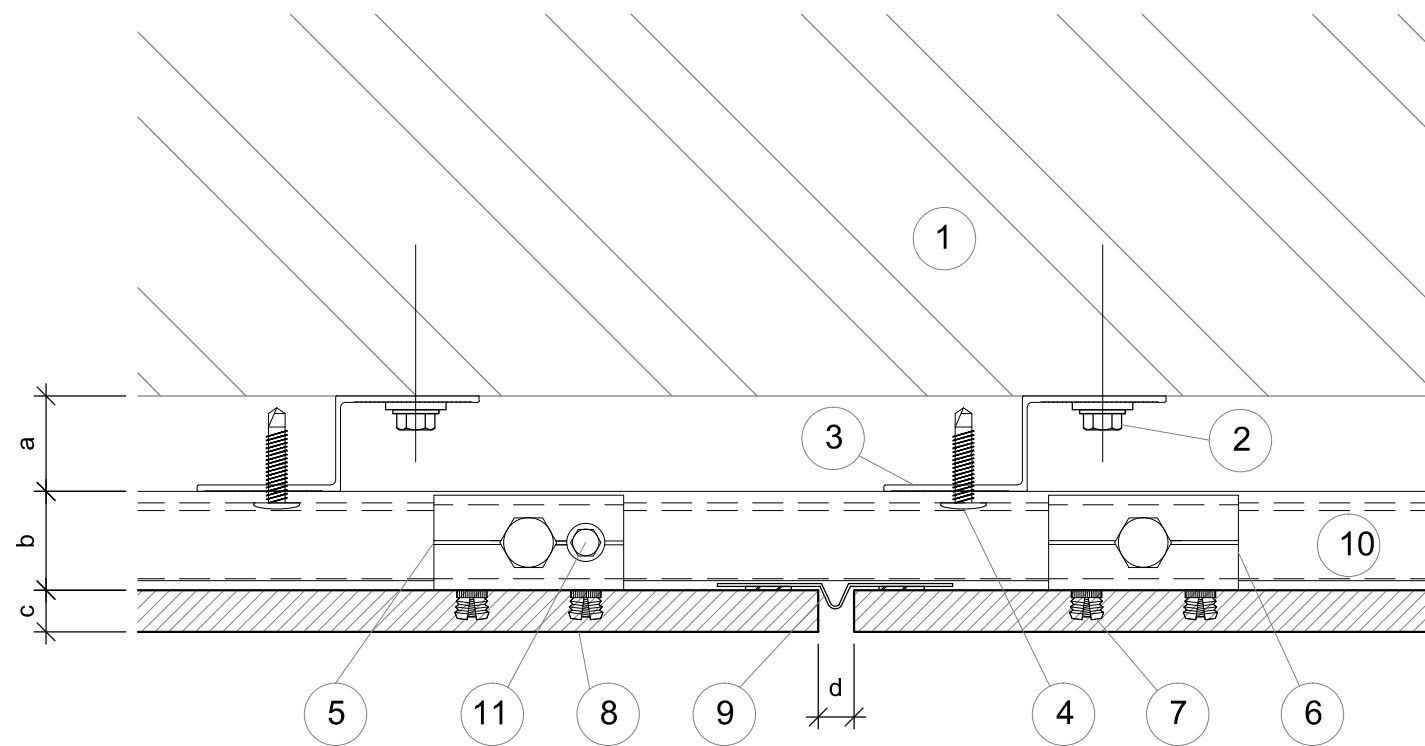
CLADDING: PETRARCH PANEL

DATE: 08-13-2021

GIRT ORIENTATION: VERTICAL

TYPICAL VERTICAL JOINT DETAIL

NOT TO SCALE



OPTIONAL DETAIL

Items	
1	Substrate (By Others)
2	Primary fixing will vary subject to substrate composition
3	Aluminum or Steel sub-framing
4	Elco Bi-Flex # 1/4-14 EAJ415 1" Long 3/8 Hex Head 300 Series Stainless Steel and corrosion resistant Self Driller 2 PT.
5	Adjustable Fix Panel Hanger
6	Adjustable Panel Hanger
7	PA4 Fischer Insert /M6x12 S/S bolt Washer
8	Petrarch Cladding Panel
9	Birds Beak Profile (optional)
10	Horizontal Carrier Rail
11	Locking screw 5.5 x 3.3

Dimensions	
a	Free vertical ventilation gap must be at least 1" and as recommended by local building regs.
b	HCR+ PH (1 1/32")
c	3/8" Panel nominal thickness (10mm)
d	Panel joint 3/8"

* Note! dimension may vary due to the shimming requirement for plumbing and alignment of rails

SUBSTRATE:VARIES

INSULATION: BY OTHERS (ALL)

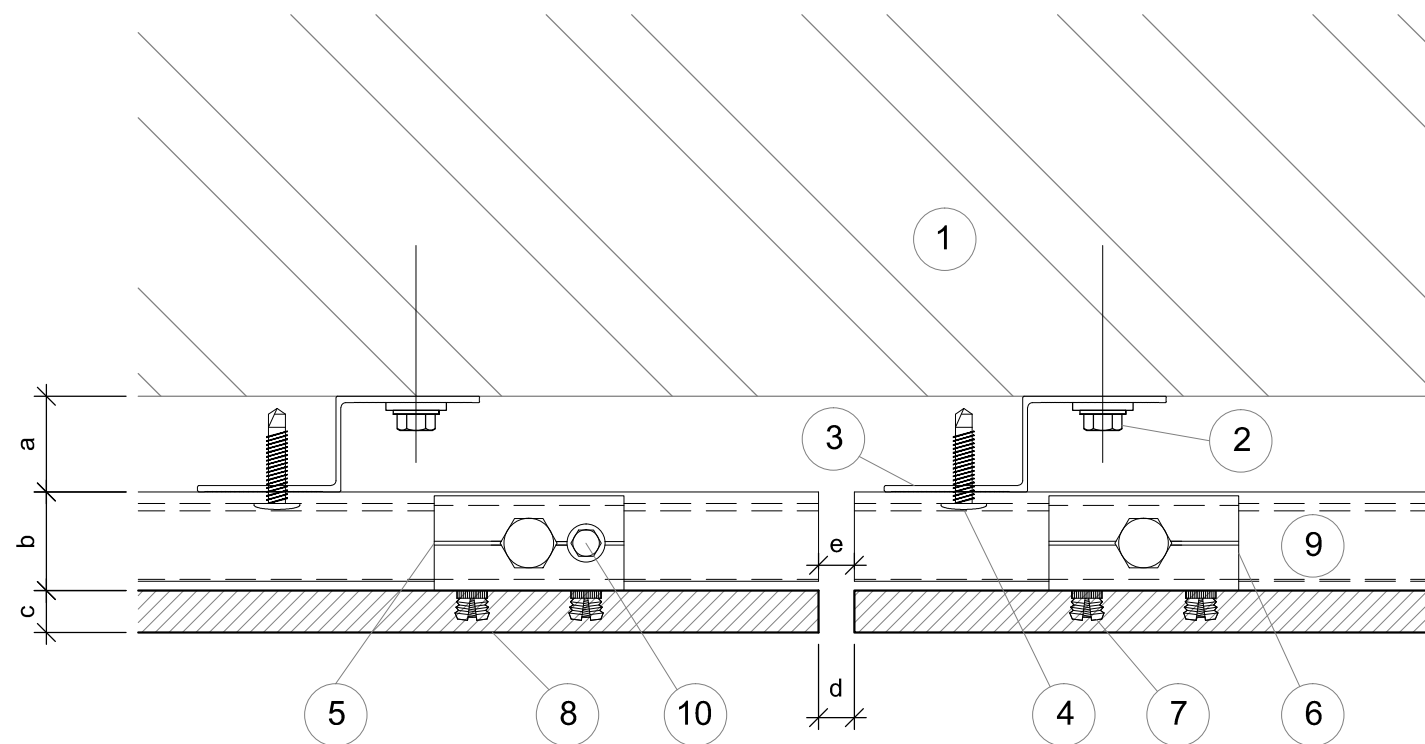
CLADDING: PETRARCH PANEL

DATE: 08-13-2021

GIRT ORIENTATION: VERTICAL

OPTIONAL VERTICAL JOINT DETAIL

NOT TO SCALE



Items	
1	Substrate (By Others)
2	Primary fixing will vary subject to substrate composition
3	Aluminum or Steel sub-framing
4	Elco Bi-Flex # 1/4-14 EAJ415 1" Long 3/8 Hex Head 300 Series Stainless Steel and corrosion resistant Self Driller 2 PT.
5	Adjustable Fix Panel Hanger
6	Adjustable Panel Hanger
7	PA4 Fischer Insert /M6x12 S/S bolt Washer
8	Petrarch Cladding Panel
9	Horizontal Carrier Rail
10	Locking screw 5.5 x 3.3

Dimensions	
a	Free vertical ventilation gap must be at least 1" and as recommended by local building regs.
b	HCR+ PH (1 1/32")
c	3/8" Panel nominal thickness (10mm)
d	Panel joint 3/8"
e	Rail joint Minimum 3/8"

* Note! dimension may vary due to the shimming requirement for plumbing and alignment of rails

SUBSTRATE:VARIES

INSULATION: BY OTHERS (ALL)

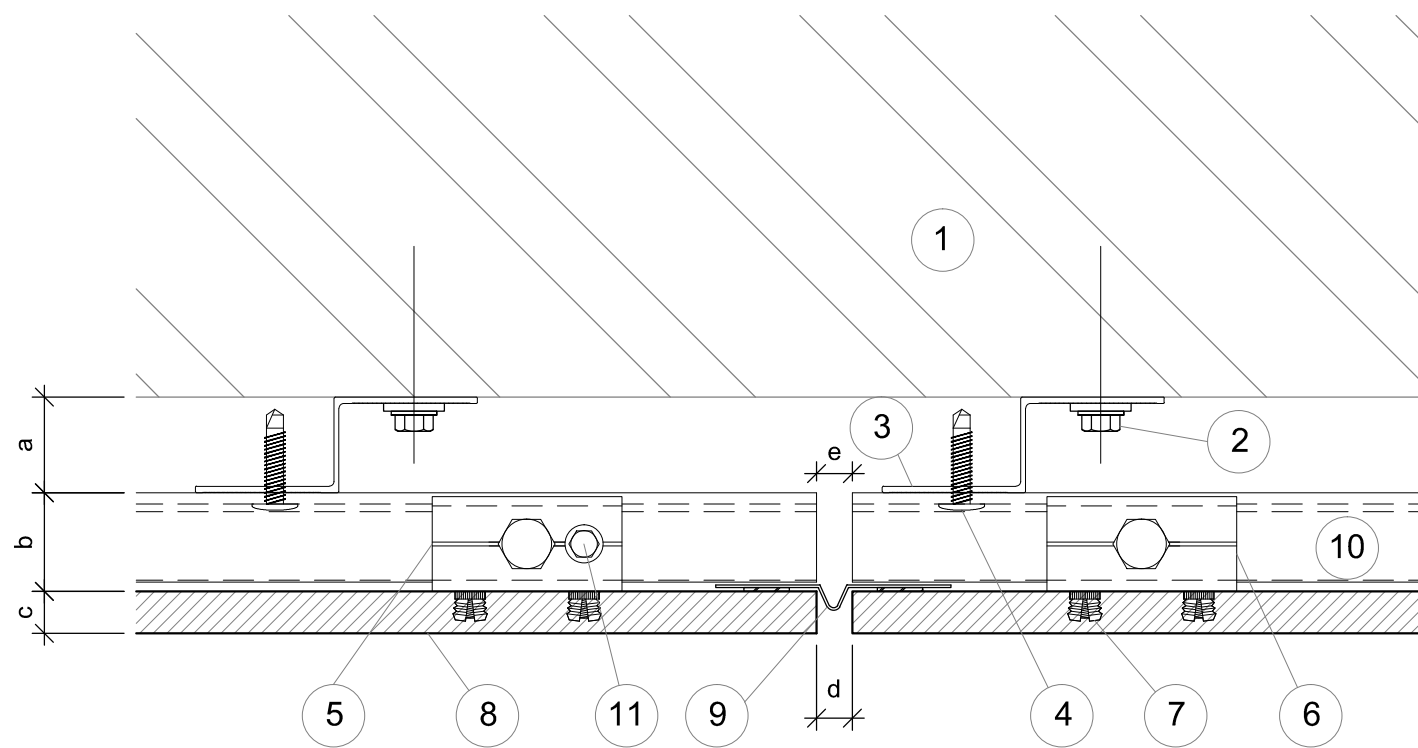
CLADDING: PETRARCH PANEL

DATE: 08-13-2021

GIRT ORIENTATION: VERTICAL

TYPICAL VERTICAL JOINT AND RAIL JOINT DETAIL

NOT TO SCALE



OPTIONAL DETAIL

Items

1	Substrate (By Others)
2	Primary fixing will vary subject to substrate composition
3	Aluminum or Steel sub-framing
4	Elco Bi-Flex # 1/4-14 EAJ415 1 " Long 3/8 Hex Head 300 Series Stainless Steel and corrosion resistant Self Driller 2 PT.
5	Adjustable Fix Panel Hanger
6	Adjustable Panel Hanger
7	PA4 Fischer Insert /M6x12 S/S bolt Washer
8	Petrarch Cladding Panel
9	Birds Beak Profile (optional)
10	Horizontal Carrier Rail
11	Locking screw 5.5 x 3.3

Dimensions

a	Free vertical ventilation gap must be at least 1" and as recommended by local building regs.
b	HCR+ PH (1 $\frac{1}{32}$ ")
c	$\frac{3}{8}$ " Panel nominal thickness (10mm)
d	Panel joint $\frac{3}{8}$ "
e	Rail joint Minimum $\frac{3}{8}$ "

* Note! dimension may vary due to the shimming requirement for plumbing and alignment of rails

SUBSTRATE: VARIES

INSULATION: BY OTHERS (ALL)

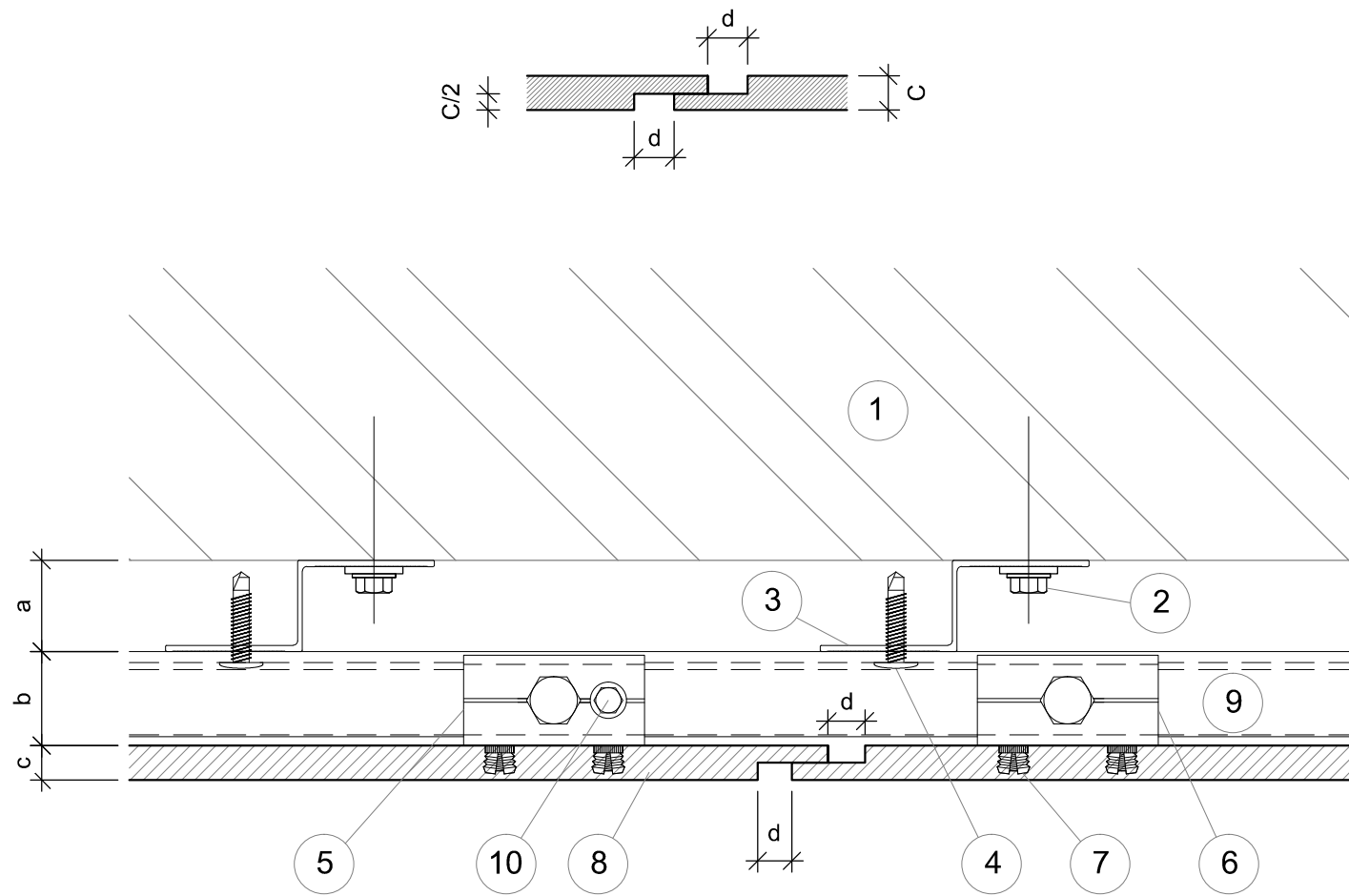
CLADDING: PETRARCH PANEL

DATE: 08-13-2021

GIRT ORIENTATION: VERTICAL

OPTIONAL VERTICAL JOINT AND RAIL JOINT DETAIL

NOT TO SCALE



OPTIONAL DETAIL (APPLICABLE IN 10 MM PANELS ONLY)

Items	
1	Substrate (By Others)
2	Primary fixing will vary subject to substrate composition
3	Aluminum or Steel sub-framing
4	Elco Bi-Flex # 1/4-14 EAJ415 1 " Long 3/8 Hex Head 300 Series Stainless Steel and corrosion resistant Self Driller 2 PT.
5	Adjustable Fix Panel Hanger
6	Adjustable Panel Hanger
7	PA4 Fischer Insert /M6x12 S/S bolt Washer
8	Petrarch Cladding Panel
9	Horizontal Carrier Rail
10	Locking screw 5.5 x 3.3

Dimensions	
a	Free vertical ventilation gap must be at least 1" and as recommended by local building regs.
b	HCR+ PH (1 1/32")
c	3/8" Panel nominal thickness (10mm)
d	Panel joint 3/8"

* Note! dimension may vary due to the shimming requirement for plumbing and alignment of rails

SUBSTRATE: VARIES

INSULATION: BY OTHERS(ALL)

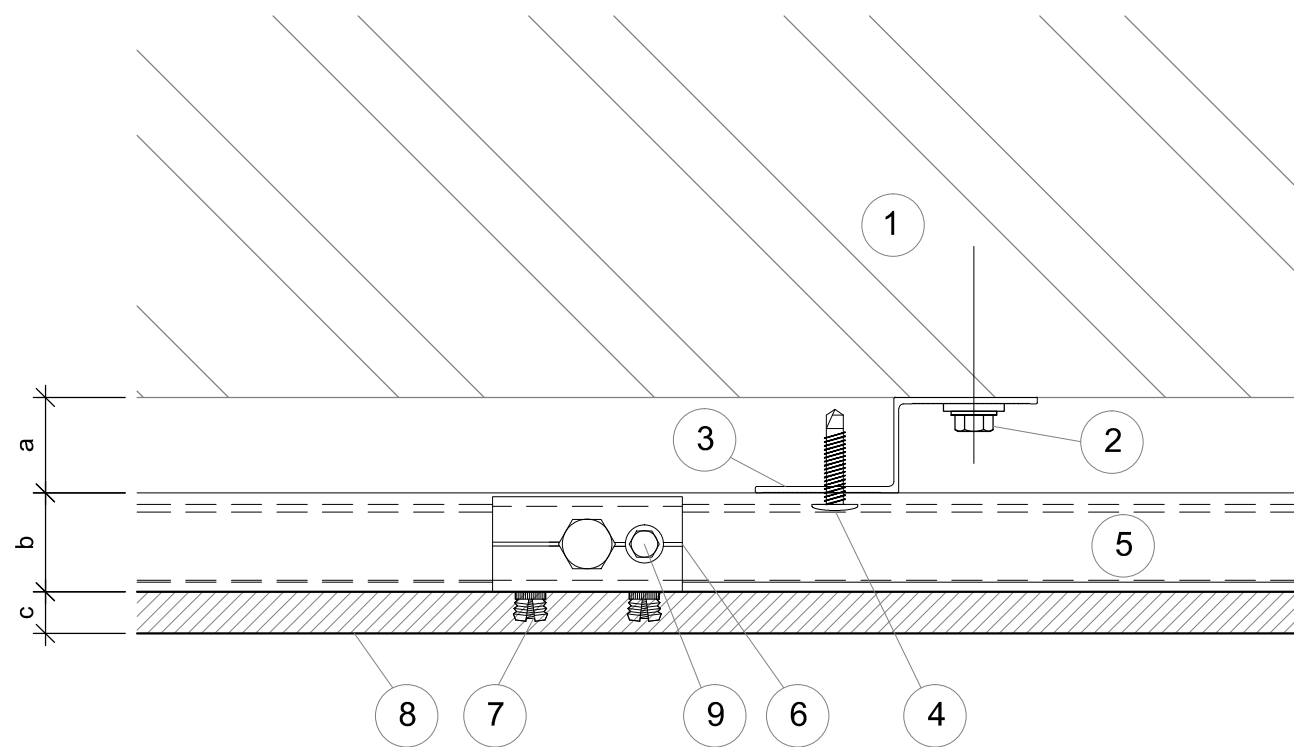
CLADDING: PETRARCH PANEL

DATE: 08-13-2021

GIRT ORIENTATION: VERTICAL

OPTIONAL VERTICAL JOINT (MARTLET JOINT)

NOT TO SCALE



Items	
1	Substrate (By Others)
2	Primary fixing will vary subject to substrate composition
3	Aluminum or Steel sub-framing
4	Elco Bi-Flex # 1/4-14 EAJ415 1 " Long 3/8 Hex Head 300 Series Stainless Steel and corrosion resistant Self Driller 2 PT.
5	Horizontal Carrier Rail
6	Adjustable Fix Panel Hanger
7	PA4 Fischer Insert /M6x12 S/S bolt Washer
8	Petrarch Cladding Panel
9	Locking screw 5.5 x 3.3

Dimensions	
a	Free vertical ventilation gap must be at least 1" and as recommended by local building regs.
b	HCR+ PH (1 $\frac{1}{32}$ ")
c	$\frac{3}{8}$ " Panel nominal thickness (10mm)

* Note! dimension may vary due to the shimming requirement for plumbing and alignment of rails

SUBSTRATE: VARIES

INSULATION: BY OTHERS(ALL)

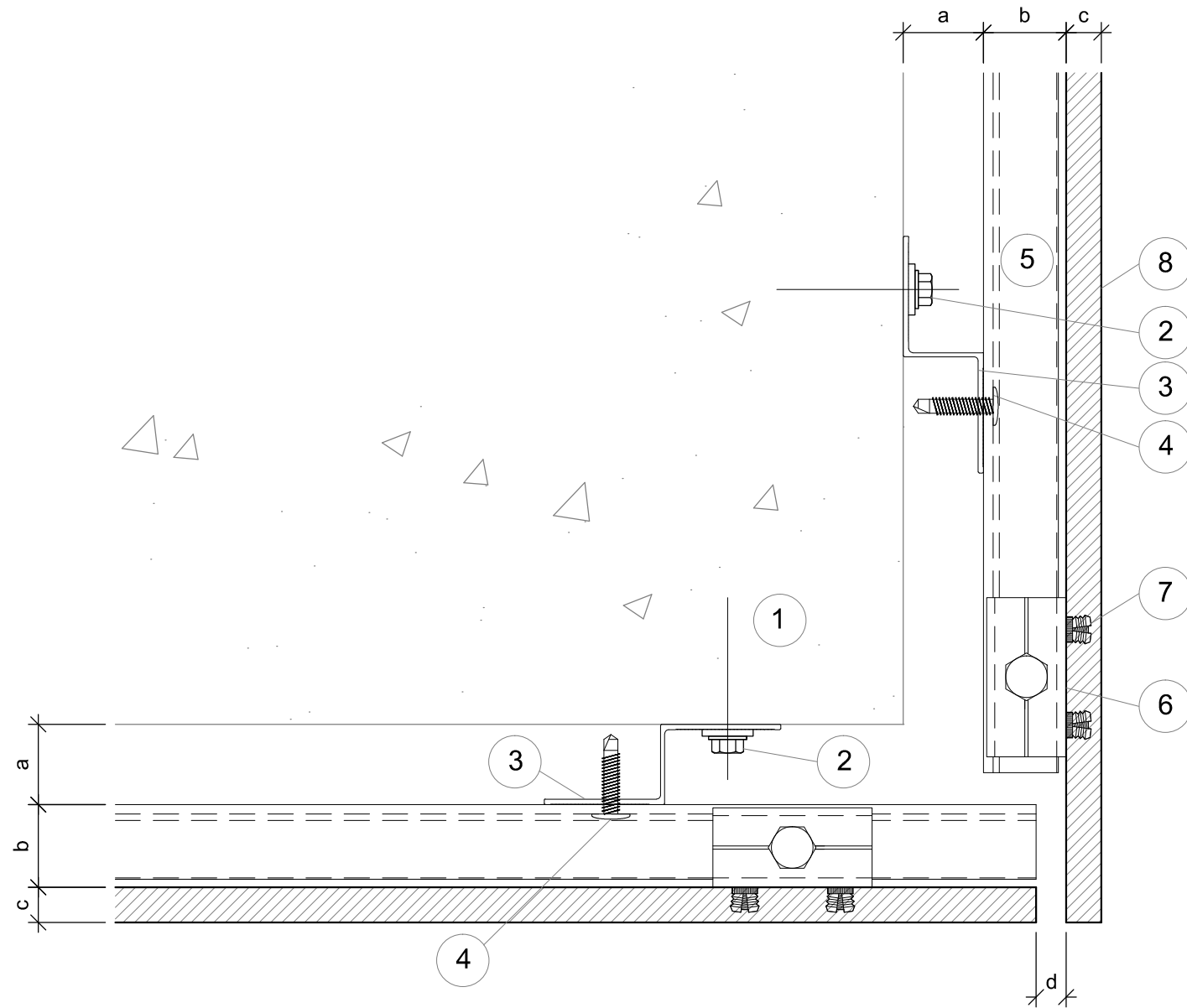
CLADDING: PETRARCH PANEL

DATE: 08-13-2021

GIRT ORIENTATION: VERTICAL

INTERMEDIATE PANEL SUPPORT DETAIL

NOT TO SCALE



Items	
1	Substrate (By Others)
2	Primary fixing will vary subject to substrate composition
3	Aluminum or Steel sub-framing
4	Elco Bi-Flex # 1/4-14 EAJ415 1" Long 3/8 Hex Head 300 Series Stainless Steel and corrosion resistant Self Driller 2 PT.
5	Horizontal Carrier Rail
6	Adjustable Panel Hanger
7	PA4 Fischer Insert /M6x12 S/S bolt Washer
8	Petrarch Cladding Panel

Dimensions	
a	Free vertical ventilation gap must be at least 1" and as recommended by local building regs.
b	HCR+ PH (1 1/32")
c	3/8" Panel nominal thickness (10mm)
d	Panel joint 3/8"

* Note! dimension may vary due to the shimming requirement for plumbing and alignment of rails

SUBSTRATE: VARIES

INSULATION: BY OTHERS(ALL)

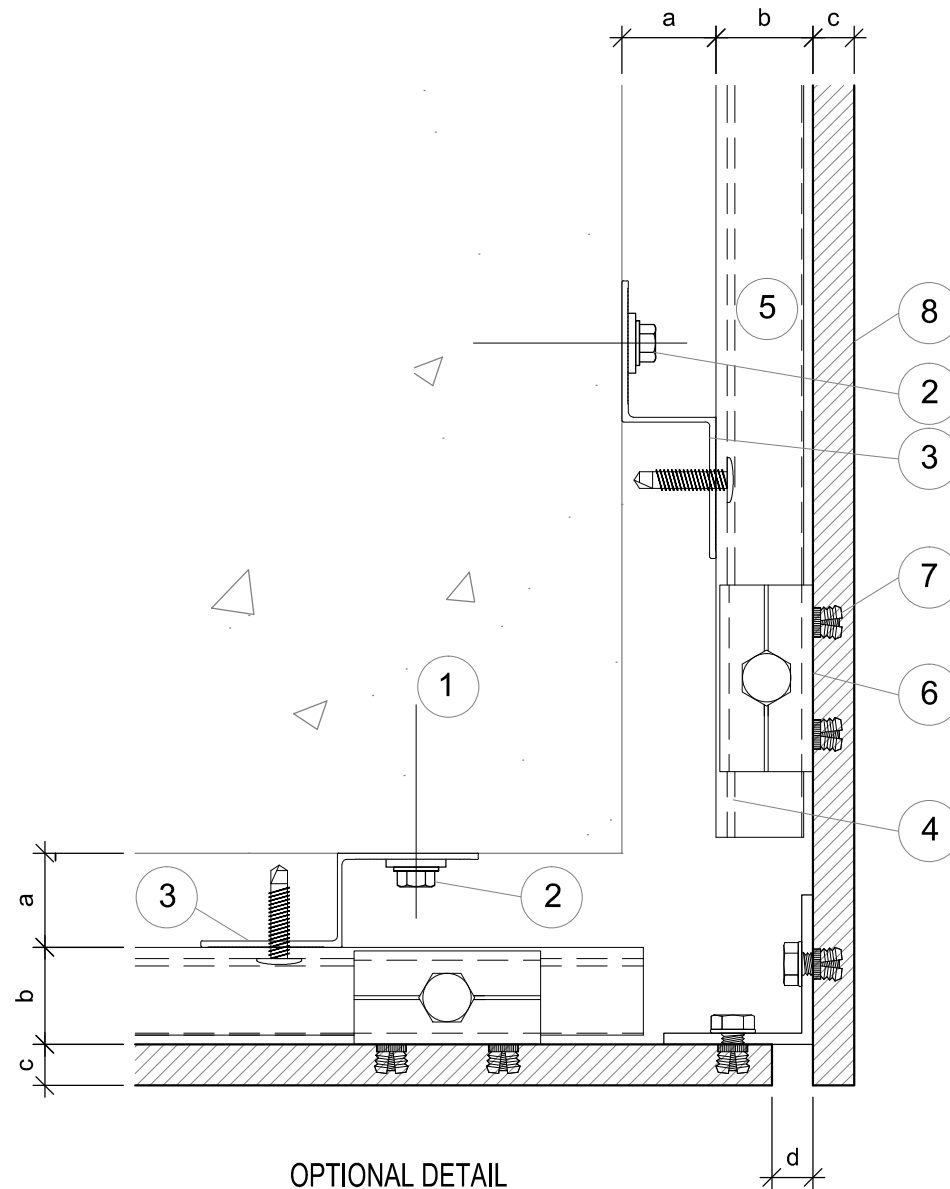
CLADDING: PETRARCH PANEL

DATE: 08-13-2021

GIRT ORIENTATION: VERTICAL

OUTSIDE CORNER (OPEN CORNER)

NOT TO SCALE



Items	
1	Substrate (By Others)
2	Primary fixing will vary subject to substrate composition
3	Aluminum or Steel sub-framing
4	Elco Bi-Flex # 1/4-14 EAJ415 1" Long 3/8 Hex Head 300 Series Stainless Steel and corrosion resistant Self Driller 2 PT.
5	Horizontal Carrier Rail
6	Adjustable Panel Hanger
7	PA4 Fischer Insert /M6x12 S/S bolt Washer
8	Petrarch Cladding Panel

Dimensions	
a	Free vertical ventilation gap must be at least 1" and as recommended by local building regs.
b	HCR+ PH ($1\frac{1}{32}$ ")
c	$\frac{3}{8}$ " Panel nominal thickness (10mm)
d	Panel joint $\frac{3}{8}$ "

* Note! dimension may vary due to the shimming requirement for plumbing and alignment of rails

SUBSTRATE: VARIES

INSULATION: BY OTHERS(ALL)

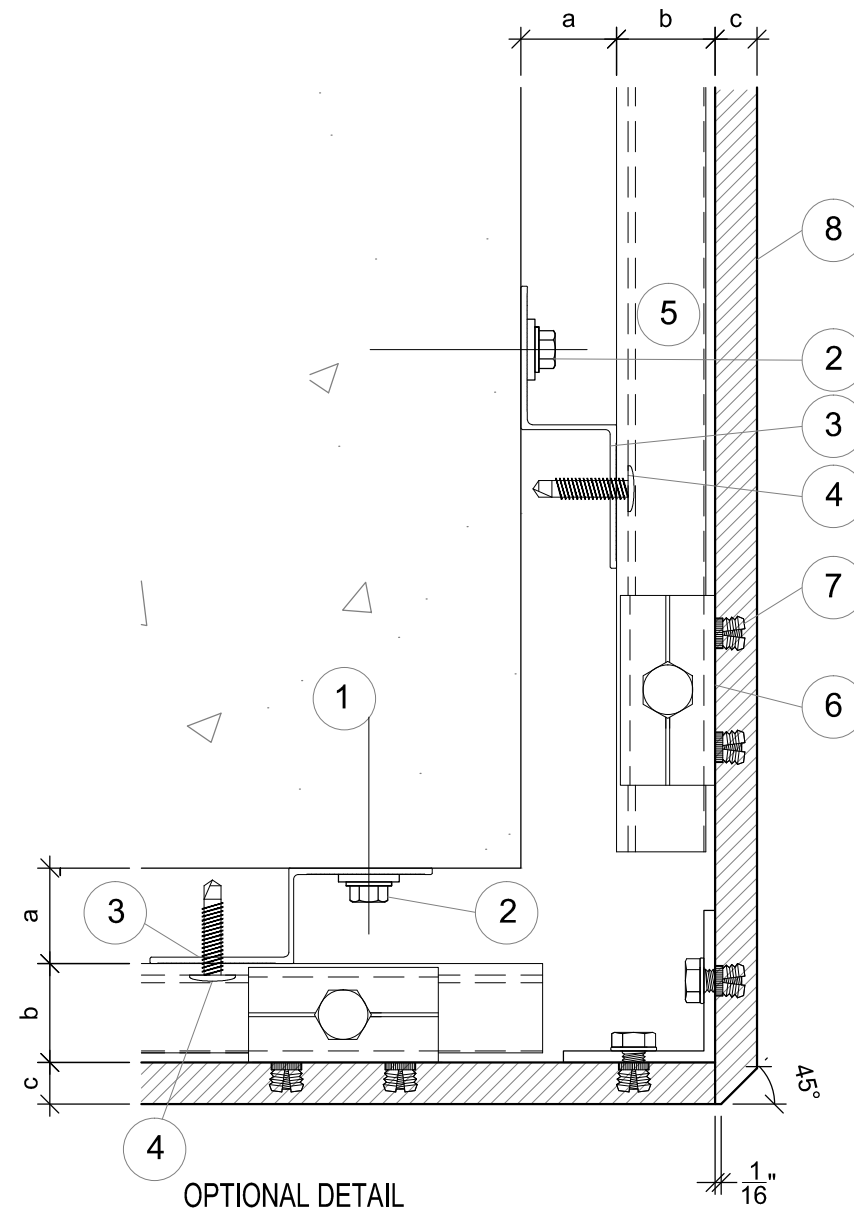
CLADDING: PETRARCH PANEL

DATE: 08-13-2021

GIRT ORIENTATION: VERTICAL

OUTSIDE CORNER (CLOSED CORNER)

NOT TO SCALE



Items	
1	Substrate (By Others)
2	Primary fixing will vary subject to substrate composition
3	Aluminum or Steel sub-framing
4	Elco Bi-Flex # 1/4-14 EAJ415 1 " Long 3/8 Hex Head 300 Series Stainless Steel and corrosion resistant Self Driller 2 PT.
5	Horizontal Carrier Rail
6	Adjustable Panel Hanger
7	PA4 Fischer Insert /M6x12 S/S bolt Washer
8	Petrarch Cladding Panel

Dimensions	
a	Free vertical ventilation gap must be at least 1" and as recommended by local building regs.
b	HCR+ PH (1 1/32")
c	3/8" Panel nominal thickness (10mm)
* Note! dimension may vary due to the shimming requirement for plumbing and alignment of rails	

SUBSTRATE: VARIES

INSULATION: BY OTHERS(ALL)

CLADDING: PETRARCH PANEL

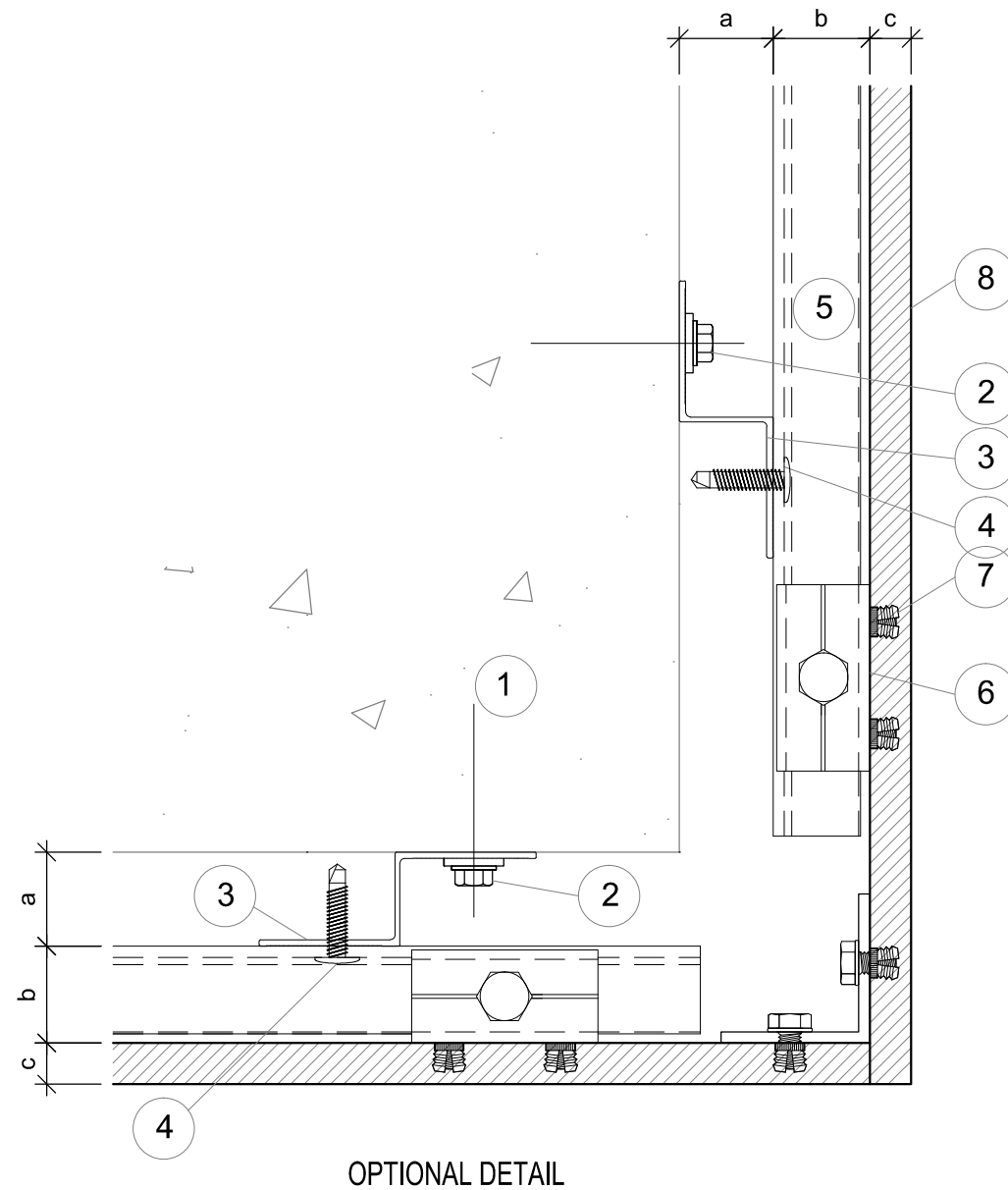
DATE: 08-13-2021

GIRT ORIENTATION: VERTICAL

OUTSIDE CORNER DETAIL (CHAMFERED CORNER)

16

NOT TO SCALE



Items	
1	Substrate (By Others)
2	Primary fixing will vary subject to substrate composition
3	Aluminum or Steel sub-framing
4	Elco Bi-Flex # 1/4-14 EAJ415 1" Long 3/8 Hex Head 300 Series Stainless Steel and corrosion resistant Self Driller 2 PT.
5	Horizontal Carrier Rail
6	Adjustable Panel Hanger
7	PA4 Fischer Insert /M6x12 S/S bolt Washer
8	Petrarch Cladding Panel

Dimensions	
a	Free vertical ventilation gap must be at least 1" and as recommended by local building regs.
b	HCR+ PH (1 1/32")
c	3/8" Panel nominal thickness (10mm)

* Note! dimension may vary due to the shimming requirement for plumbing and alignment of rails

SUBSTRATE: VARIES

INSULATION: BY OTHERS(ALL)

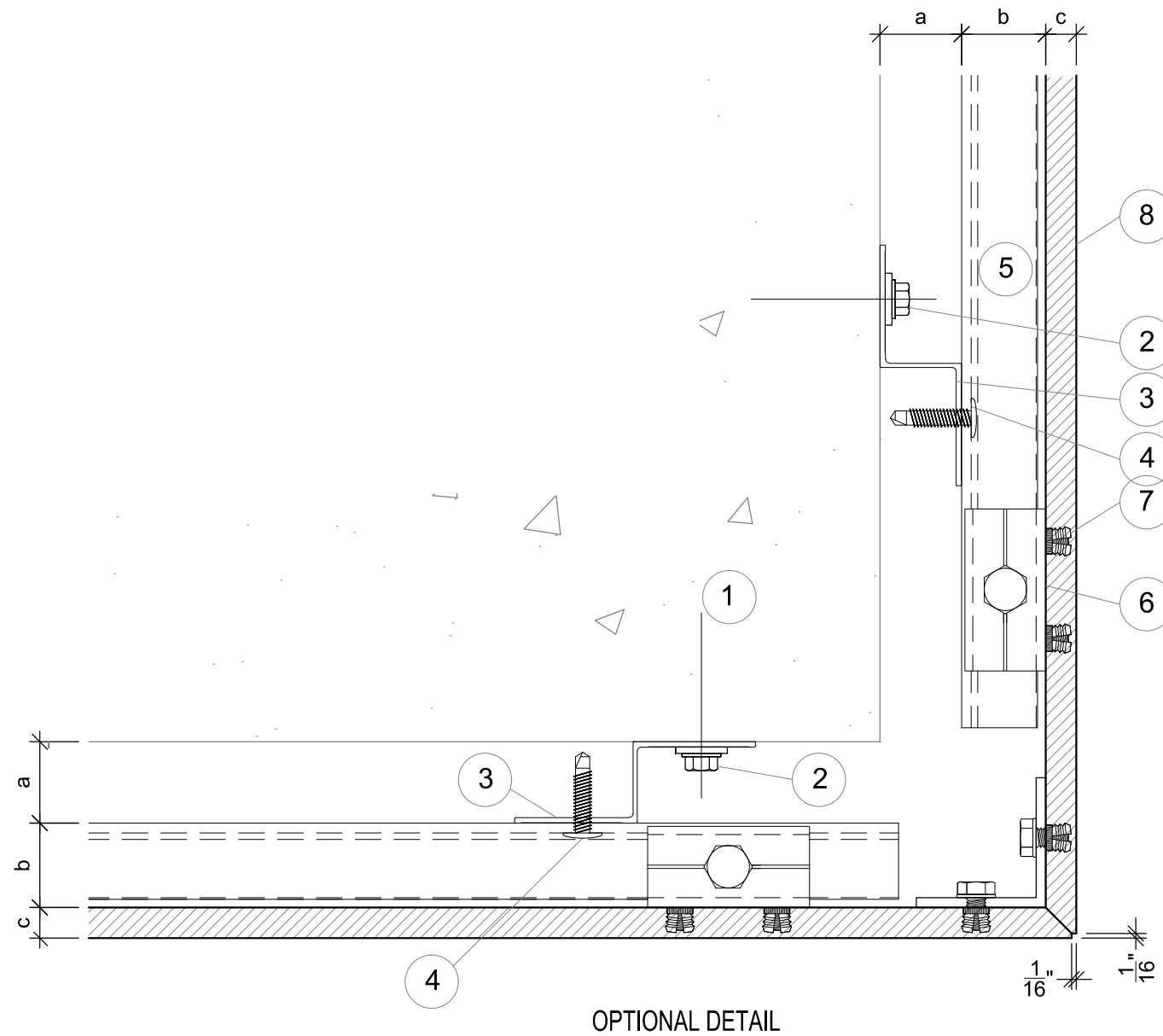
CLADDING: PETRARCH PANEL

DATE: 08-13-2021

GIRT ORIENTATION: VERTICAL

OUTSIDE CORNER DETAIL (SQUARED CORNER)

NOT TO SCALE



Items	
1	Substrate (By Others)
2	Primary fixing will vary subject to substrate composition
3	Aluminum or Steel sub-framing
4	Elco Bi-Flex # 1/4-14 EAJ415 1" Long 3/8 Hex Head 300 Series Stainless Steel and corrosion resistant Self Driller 2 PT.
5	Horizontal Carrier Rail
6	Adjustable Panel Hanger
7	PA4 Fischer Insert /M6x12 S/S bolt Washer
8	Petrarch Cladding Panel

Dimensions	
a	Free vertical ventilation gap must be at least 1" and as recommended by local building regs.
b	HCR+ PH (1 1/32")
c	3/8" Panel nominal thickness (10mm)
* Note! dimension may vary due to the shimming requirement for plumbing and alignment of rails	

SUBSTRATE: VARIES

INSULATION: BY OTHERS(ALL)

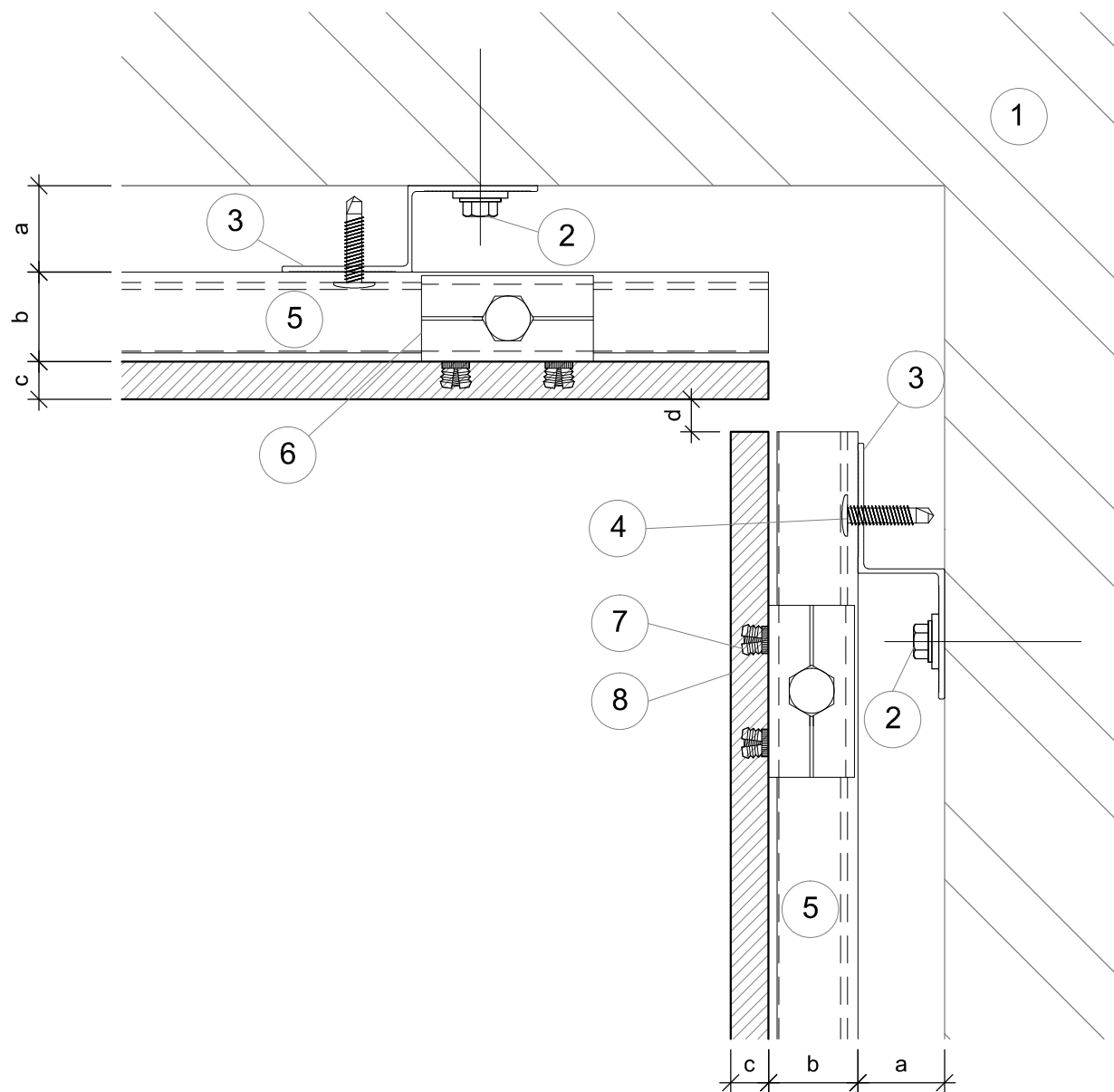
CLADDING: PETRARCH PANEL

DATE: 08-13-2021

GIRT ORIENTATION: VERTICAL

OUTSIDE CORNER DETAIL (2MM BIRDS BEAK MITRE)

NOT TO SCALE



Items	
1	Substrate (By Others)
2	Primary fixing will vary subject to substrate composition
3	Aluminum or Steel sub-framing
4	Elco Bi-Flex # 1/4-14 EAJ415 1 " Long 3/8 Hex Head 300 Series Stainless Steel and corrosion resistant Self Driller 2 PT.
5	Horizontal Carrier Rail
6	Adjustable Panel Hanger
7	PA4 Fischer Insert /M6x12 S/S bolt Washer
8	Petrarch Cladding Panel

Dimensions	
a	Free vertical ventilation gap must be at least 1" and as recommended by local building regs.
b	HCR+ PH (1 1/32")
c	3/8" Panel nominal thickness (10mm)
d	Panel joint 3/8"
* Note! dimension may vary due to the shimming requirement for plumbing and alignment of rails	

SUBSTRATE: VARIES

INSULATION: BY OTHERS(ALL)

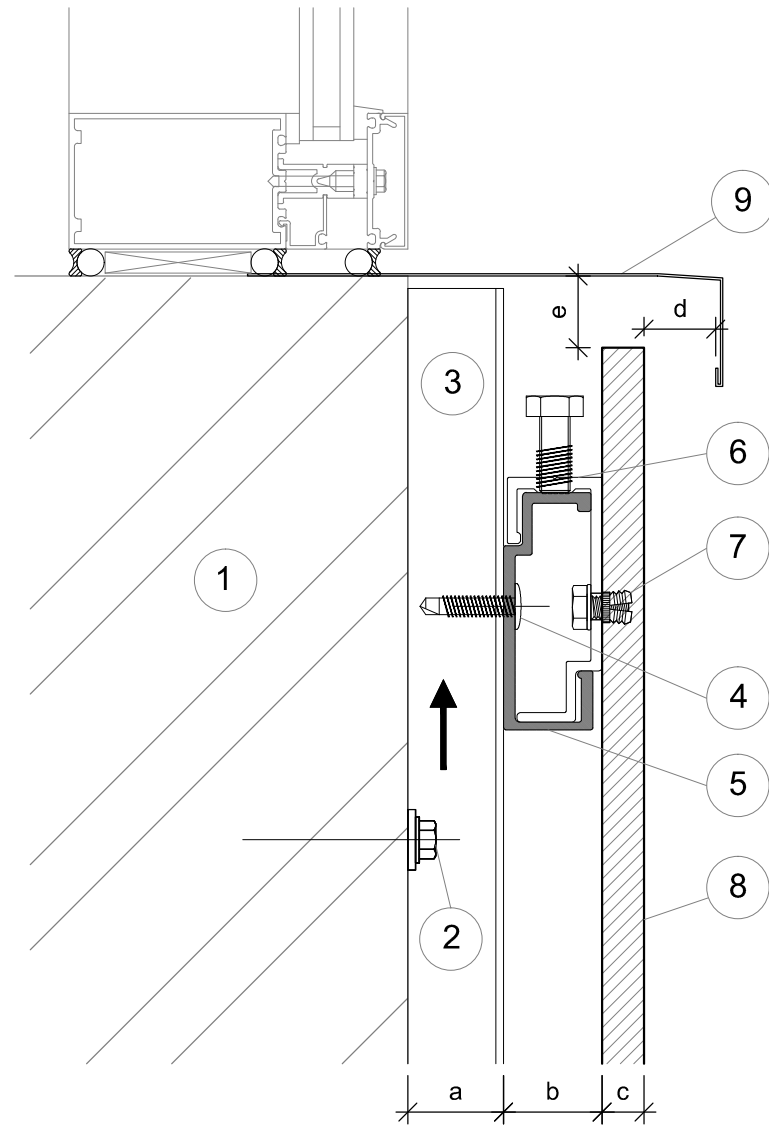
CLADDING: PETRARCH PANEL

DATE: 08-13-2021

GIRT ORIENTATION: VERTICAL

INSIDE CORNER DETAIL

NOT TO SCALE



Items	
1	Substrate (By Others)
2	Primary fixing will vary subject to substrate composition
3	Aluminum or Steel sub-framing
4	Elco Bi-Flex # 1/4-14 EAJ415 1" Long 3/8 Hex Head 300 Series Stainless Steel and corrosion resistant Self Driller 2 PT.
5	Horizontal Carrier Rail
6	Adjustable Panel Hanger
7	PA4 Fischer Insert /M6x12 S/S bolt Washer
8	Petrarch Cladding Panel
9	window detail to project requirement (By Others)

Dimensions	
a	Free vertical ventilation gap must be at least 1" and as recommended by local building regs.
b	HCR+ PH (1 ¹ / ₃₂ ")
c	³ / ₈ " Panel nominal thickness (10mm)
d	³ / ₄ " Panel to flashing distance
e	³ / ₄ " distance

* Note! dimension may vary due to the shimming requirement for plumbing and alignment of rails

SUBSTRATE: VARIES

INSULATION: BY OTHERS(ALL)

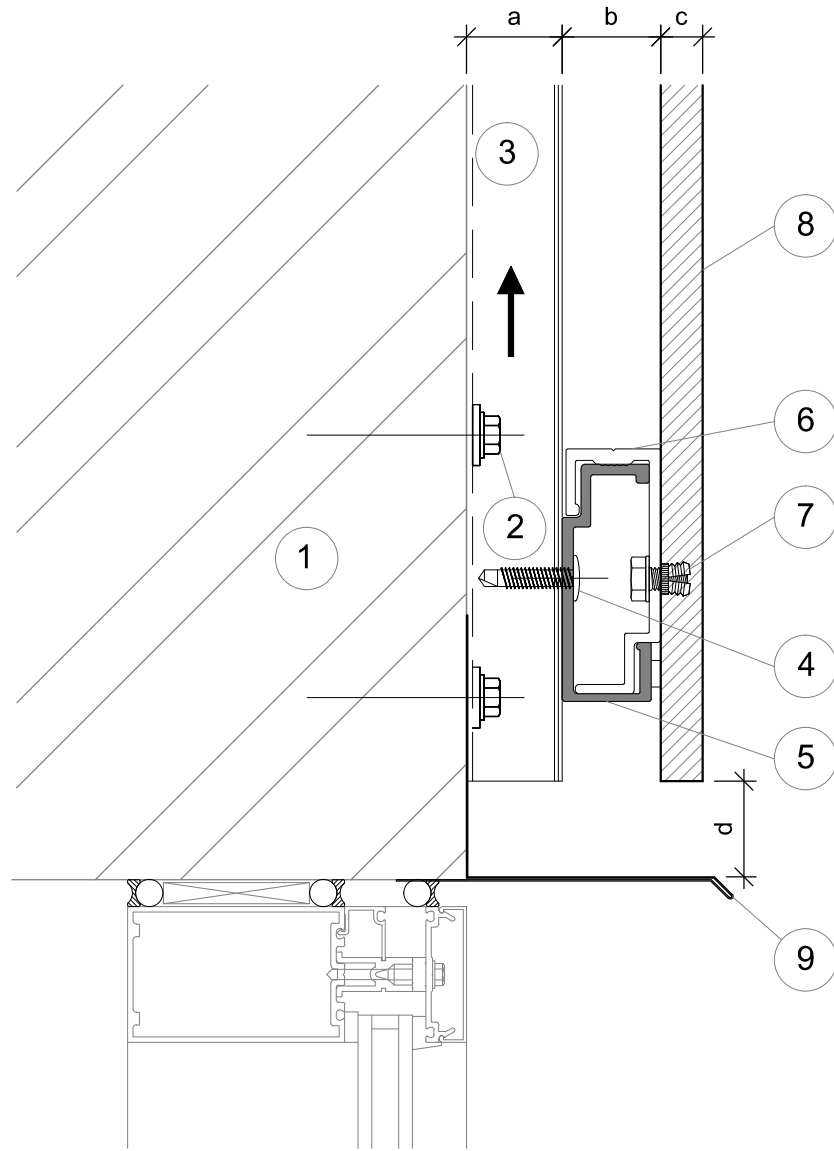
CLADDING: PETRARCH PANEL

DATE: 08-13-2021

GIRT ORIENTATION: VERTICAL

WINDOW SILL DETAIL

NOT TO SCALE



Items	
1	Substrate (By Others)
2	Primary fixing will vary subject to substrate composition
3	Aluminum or Steel sub-framing
4	Elco Bi-Flex # 1/4-14 EAJ415 1 " Long 3/8 Hex Head 300 Series Stainless Steel and corrosion resistant Self Driller 2 PT.
5	Horizontal Carrier Rail
6	Standard Panel Hanger
7	PA4 Fischer Insert /M6x12 S/S bolt Washer
8	Petrarch Cladding Panel
9	Window detail to project requirement (By Others)

Dimensions	
a	Free vertical ventilation gap must be at least 1" and as recommended by local building regs.
b	HCR+ PH (1 $\frac{1}{32}$ ")
c	$\frac{3}{8}$ " Panel nominal thickness (10mm)
d	$\frac{3}{4}$ " Panel to flashing

* Note! dimension may vary due to the shimming requirement for plumbing and alignment of rails

SUBSTRATE: VARIES

INSULATION: BY OTHERS(ALL)

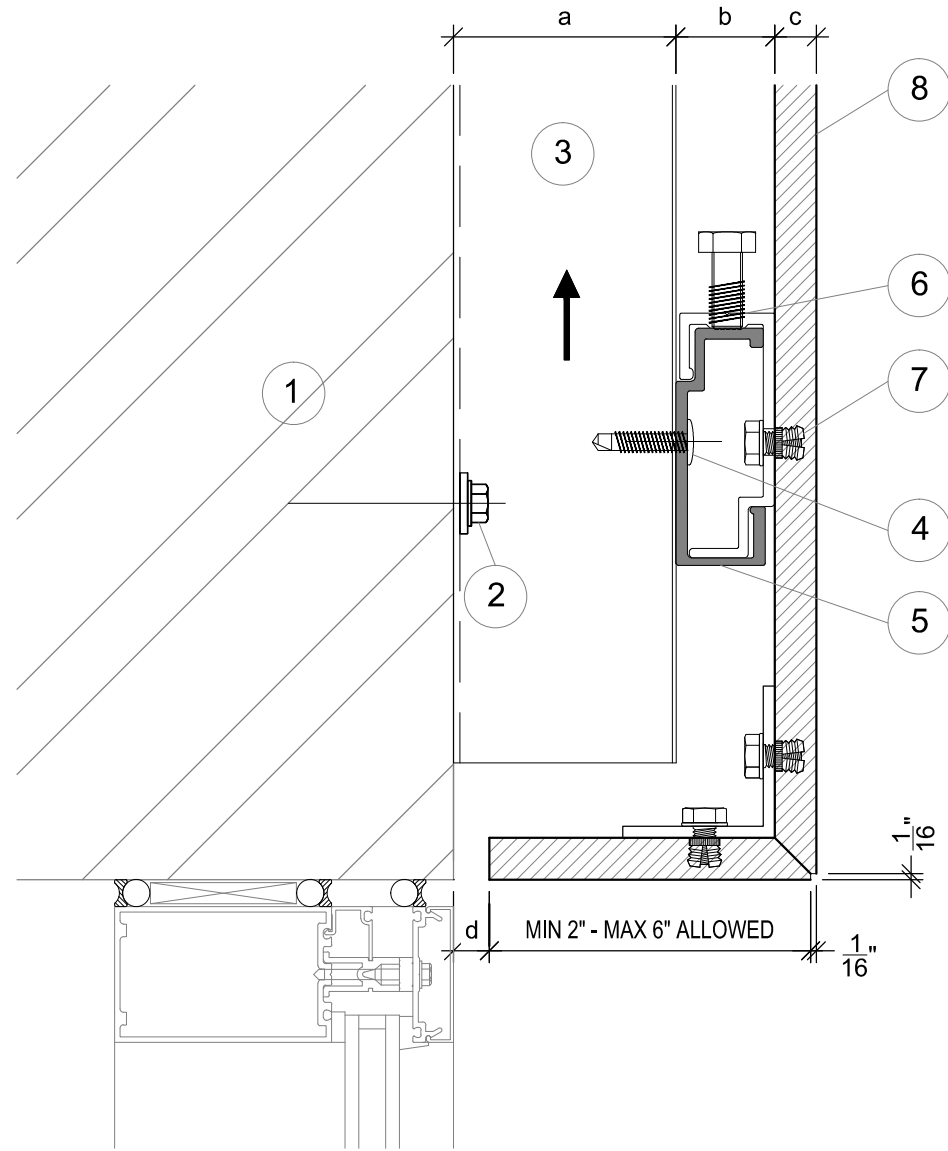
CLADDING: PETRARCH PANEL

DATE: 08-13-2021

GIRT ORIENTATION: VERTICAL

WINDOW HEAD DETAIL

NOT TO SCALE



OPTIONAL DETAIL

Items	
1	Substrate (By Others)
2	Primary fixing will vary subject to substrate composition
3	Aluminum or Steel sub-framing
4	Elco Bi-Flex # 1/4-14 EAJ415 1 " Long 3/8 Hex Head 300 Series Stainless Steel and corrosian resistant Self Driller 2 PT.
5	Horizontal Carrier Rail
6	Standard Panel Hanger
7	PA4 Fischer Insert /M6x12 S/S bolt Washer
8	Petrarch Cladding Panel

Dimensions	
a	Free vertical ventilation gap must be at least 1" and as recommended by local building regs.
b	HCR+ PH (1 ¹ / ₃₂ ")
c	³ / ₈ " Panel nominal thickness (10mm)
d	³ / ₈ " Distance

* Note! dimension may vary due to the shimming requirement for plumbing and alignment of rails

SUBSTRATE: VARIES

INSULATION: BY OTHERS(ALL)

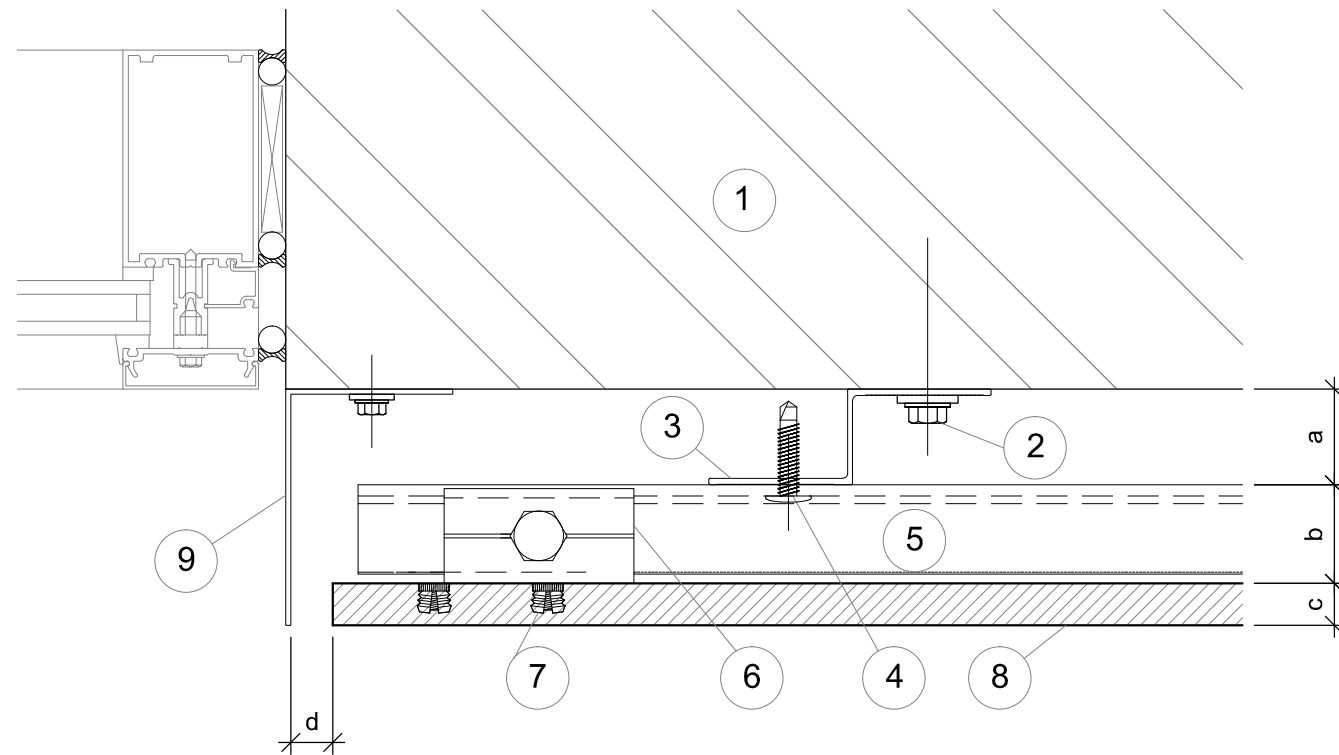
CLADDING: PETRARCH PANEL

DATE: 08-13-2021

GIRT ORIENTATION: VERTICAL

WINDOW HEAD DETAIL (CANTILEVERED)

NOT TO SCALE



Items	
1	Substrate (By Others)
2	Primary fixing will vary subject to substrate composition
3	Aluminum or Steel sub-framing
4	Elco Bi-Flex # 1/4-14 EAJ415 1 " Long 3/8 Hex Head 300 Series Stainless Steel and corrosion resistant Self Driller 2 PT.
5	Horizontal Carrier Rail
6	Adjustable Panel Hanger
7	PA4 Fischer Insert /M6x12 S/S bolt Washer
8	Petrarch Cladding Panel
9	Window detail to project requirement (By Others)

Dimensions	
a	Free vertical ventilation gap must be at least 1" and as recommended by local building regs.
b	HCR+ PH (1 $\frac{1}{32}$ ")
c	$\frac{3}{8}$ " Panel nominal thickness (10mm)
d	Panel joint $\frac{3}{8}$ "

* Note! dimension may vary due to the shimming requirement for plumbing and alignment of rails

SUBSTRATE: VARIES

INSULATION: BY OTHERS(ALL)

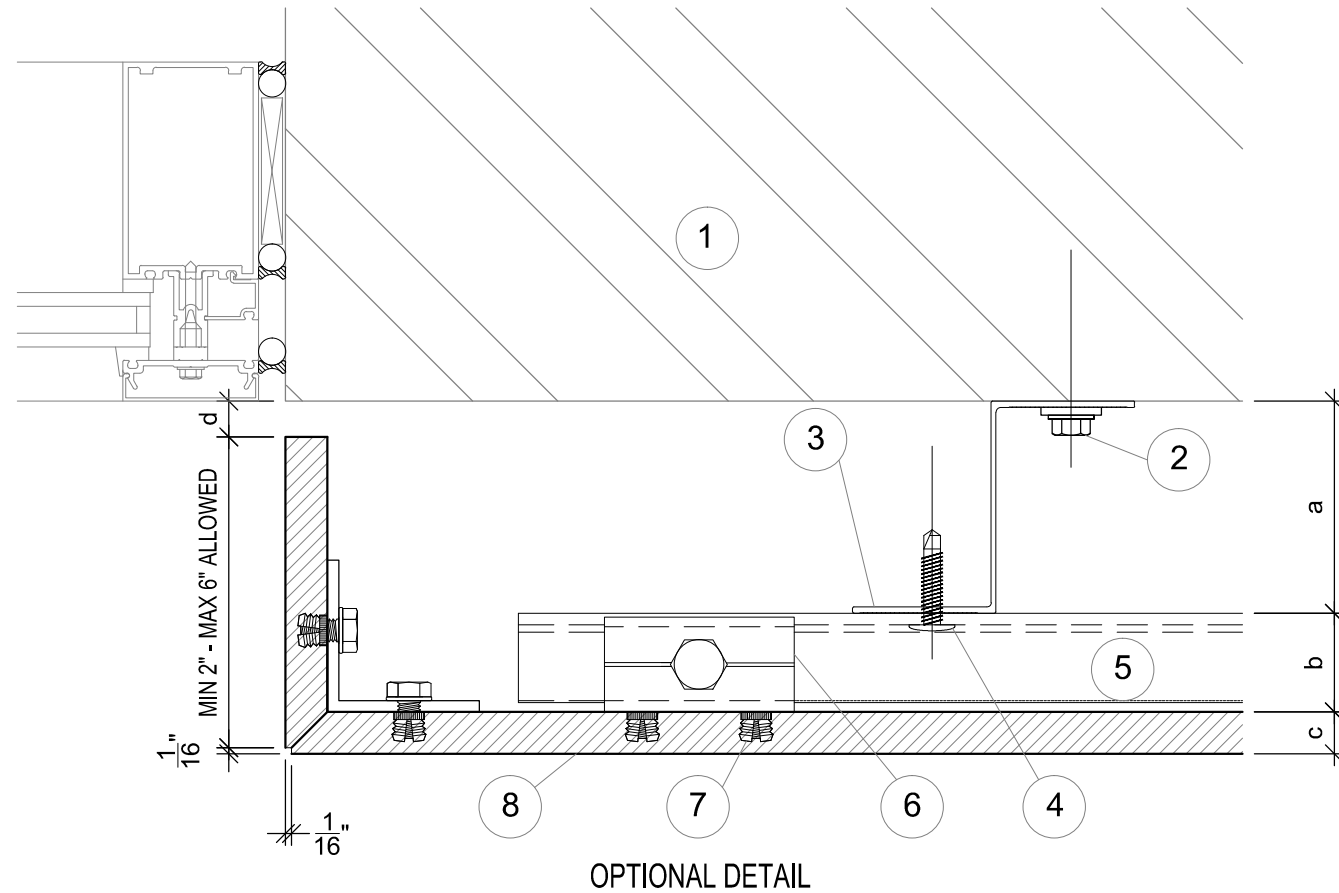
CLADDING: PETRARCH PANEL

DATE: 08-13-2021

GIRT ORIENTATION: VERTICAL

WINDOW JAMB DETAIL

NOT TO SCALE



Items	
1	Substrate (By Others)
2	Primary fixing will vary subject to substrate composition
3	Aluminum or Steel sub-framing
4	Elco Bi-Flex # 1/4-14 EAJ415 1 " Long 3/8 Hex Head 300 Series Stainless Steel and corrosion resistant Self Driller 2 PT.
5	Horizontal Carrier Rail
6	Adjustable Panel Hanger
7	PA4 Fischer Insert /M6x12 S/S bolt Washer
8	Petrarch Cladding Panel

Dimensions	
a	Free vertical ventilation gap must be at least 1" and as recommended by local building regs.
b	HCR+ PH (1 ¹ / ₃₂ ")
c	³ / ₈ " Panel nominal thickness (10mm)
d	Panel joint ³ / ₈ "

* Note! dimension may vary due to the shimming requirement for plumbing and alignment of rails

SUBSTRATE: VARIES

INSULATION: BY OTHERS(ALL)

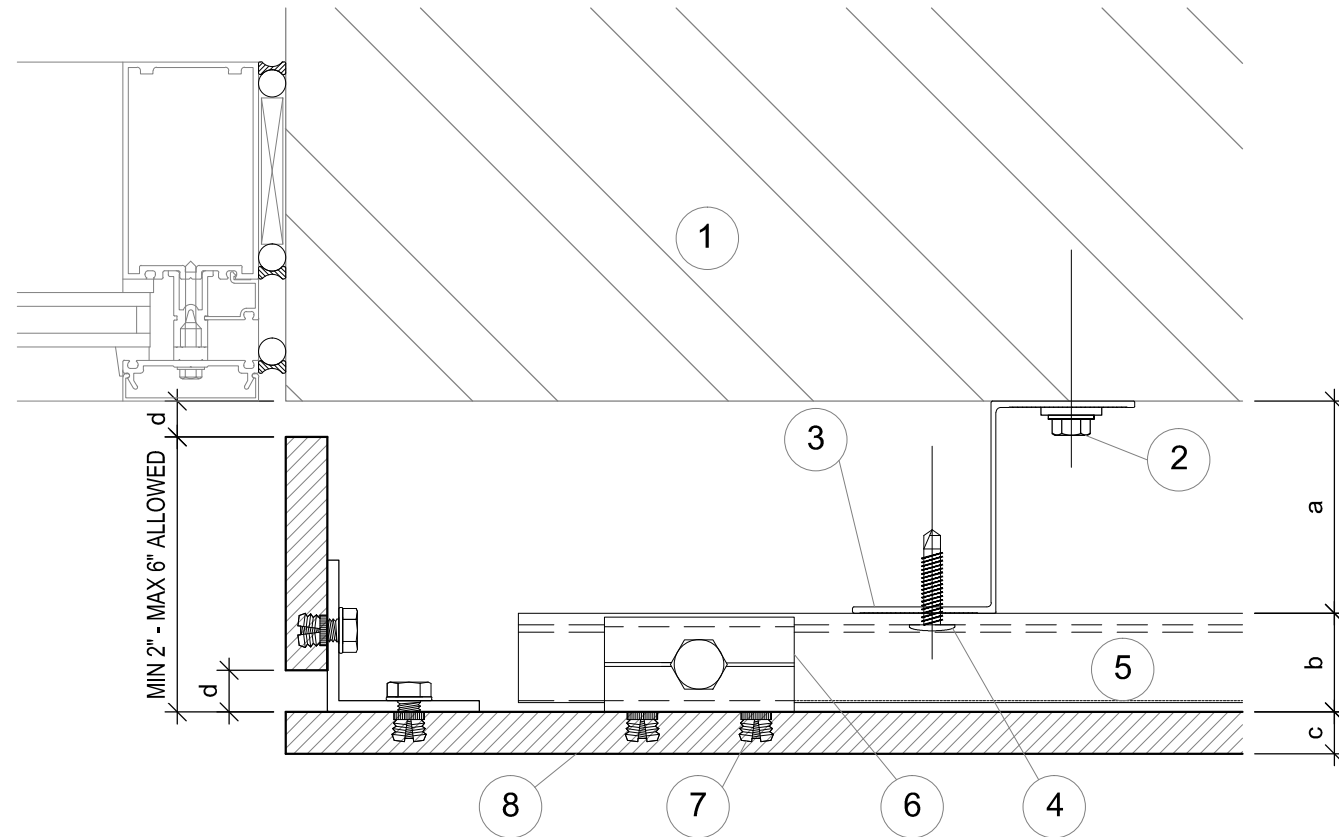
CLADDING: PETRARCH PANEL

DATE: 08-13-2021

GIRT ORIENTATION: VERTICAL

WINDOW JAMB DETAIL (CANTILEVERED)

NOT TO SCALE



OPTIONAL DETAIL

Items	
1	Substrate (By Others)
2	Primary fixing will vary subject to substrate composition
3	Aluminum or Steel sub-framing
4	Elco Bi-Flex # 1/4-14 EAJ415 1 " Long 3/8 Hex Head 300 Series Stainless Steel and corrosion resistant Self Driller 2 PT.
5	Horizontal Carrier Rail
6	Adjustable Panel Hanger
7	PA4 Fischer Insert / M6x12 S/S bolt Washer
8	Petrarch Cladding Panel

Dimensions	
a	Free vertical ventilation gap must be at least 1" and as recommended by local building regs.
b	HCR+ PH (1 ¹ / ₃₂ ")
c	³ / ₈ " Panel nominal thickness (10mm)
d	Panel joint ³ / ₈ "

* Note! dimension may vary due to the shimming requirement for plumbing and alignment of rails

SUBSTRATE: VARIES

INSULATION: BY OTHERS(ALL)

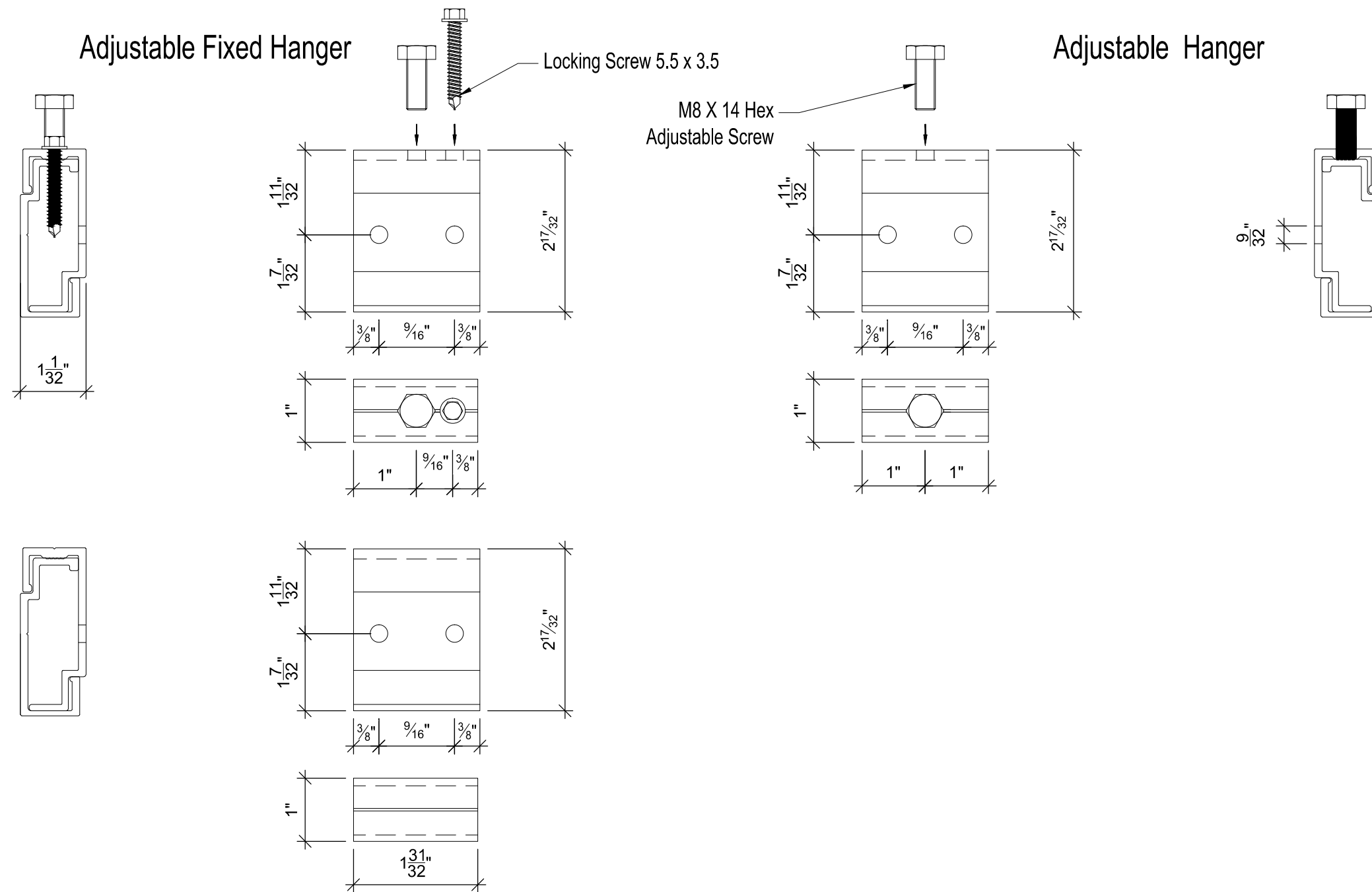
CLADDING: PETRARCH PANEL

DATE: 08-13-2021

GIRT ORIENTATION: VERTICAL

WINDOW JAMB DETAIL (CANTILEVERED)

NOT TO SCALE



SUBSTRATE: VARIES

INSULATION: BY OTHERS(ALL)

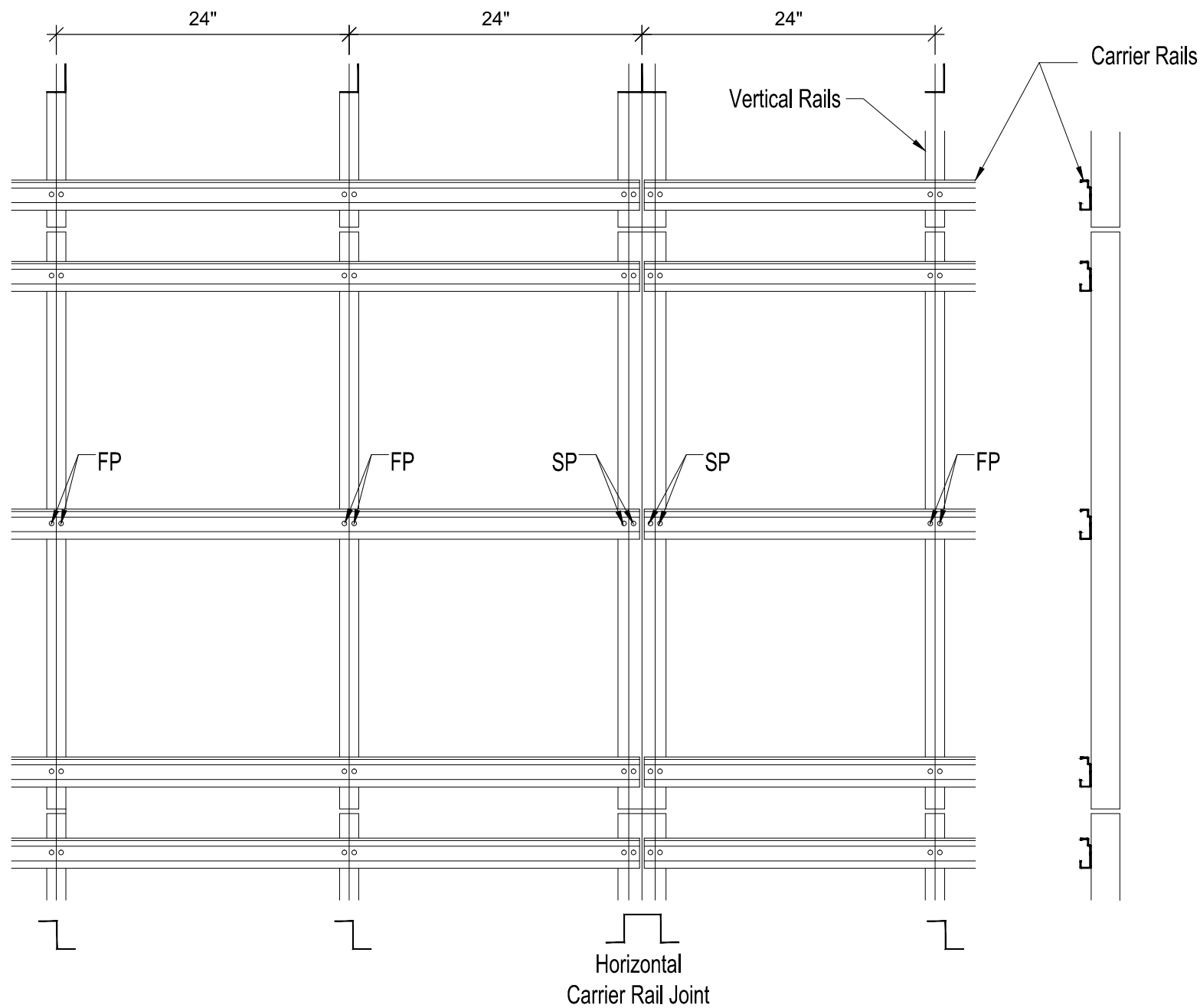
CLADDING: PETRARCH PANEL

DATE: 08-13-2021

GIRT ORIENTATION: VERTICAL

RAILS
NOT TO SCALE

Rail Centers



The fixing Procedure for the horizontal carrier rail in max. 3048 mm (10') lengths is as follows:

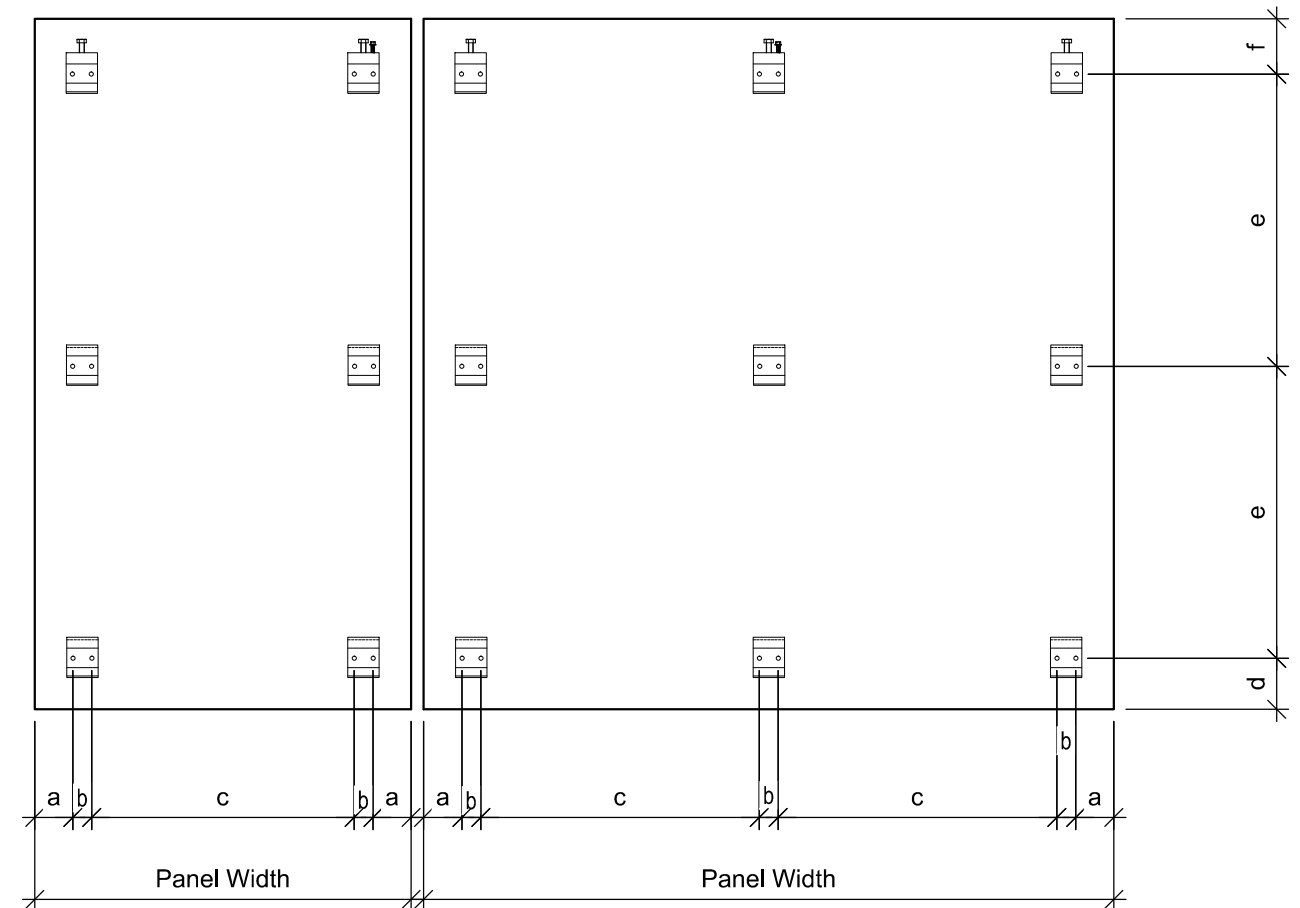
- fixing HCR to rail-all double fixed point (FP)
- fixing HCR ends to T rail-all double Sliding point (SP)-HCR only drill holes 3/8"mm

Fixing Guideline

- Fixed Adjustable Hanger
- Adjustable Hanger
- Standard Hanger

Single Span

Multiple Span



Panels Viewed from Rear

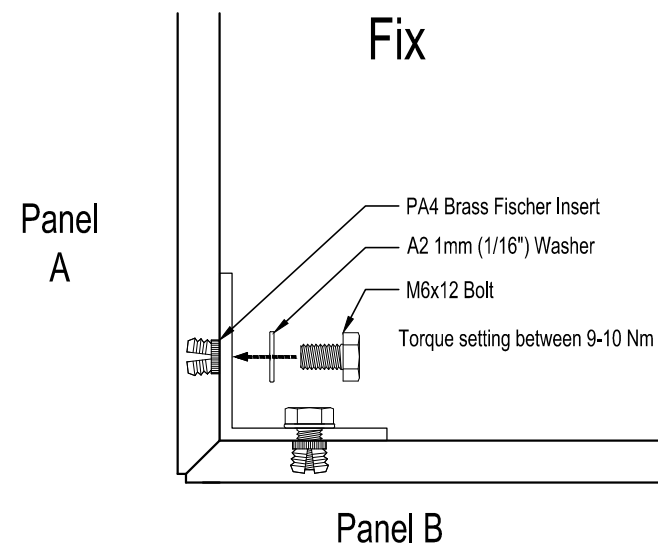
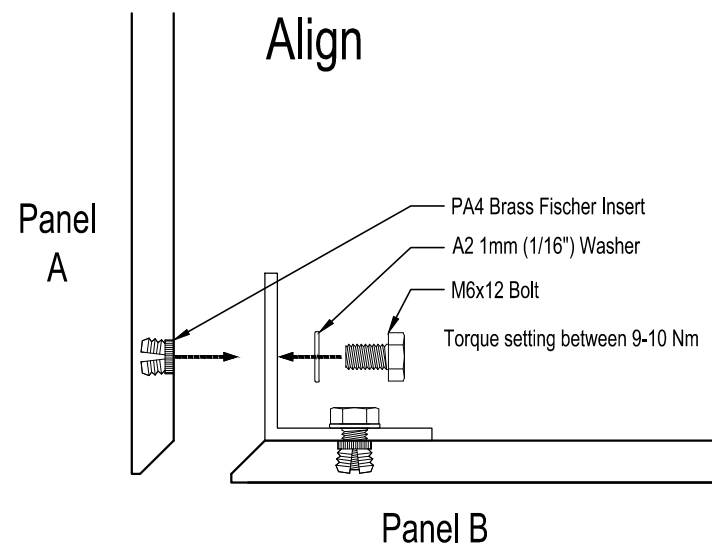
- a. 61mm (2'-3/8")
- b. 30mm (1'-3/16")
- c. Max. 600mm (1'-11 5/8") on Fascias / 400mm (1'-3 3/4") on soffits
- d. 81mm (3' 3/16")
- e. MAX. 600mm (1'-11 5/8") on Fascias / 400mm (1'-3 3/4") on Soffits
- f. 88mm (3'-7/16")

SUBSTRATE: ---	INSULATION: ---
CLADDING:---	DATE: 08-13-2021
	GIRT ORIENTATION: ---

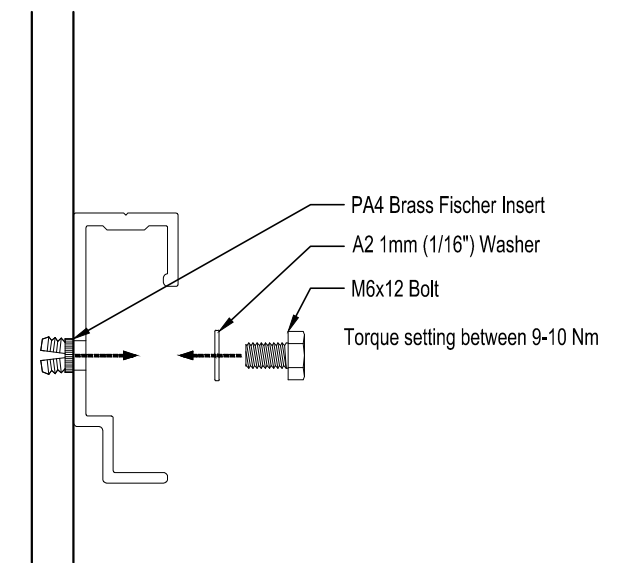
PANEL HANGERS

NOT TO SCALE

MSF Corner on site installation guidelines



MSF Panel Hanger on site installation guidelines



SUBSTRATE: ---	INSULATION: ---
CLADDING:---	DATE: 08-13-2021
	GIRT ORIENTATION: ---

SITE ASSEMBLED CORNER & PANEL HANGER GUIDELINES

NOT TO SCALE