

### PETRARCH ADHESIVE SECRET FIXED SYSTEM

1. COVER PAGE
2. BASE DETAIL
3. TYPICAL HORIZONTAL JOINT
4. OPTIONAL HORIZONTAL JOINT DETAIL BIRDS BEAK PROFILE (OPTIONAL)
5. TYPICAL HORIZONTAL JOINT AND RAIL JOINT (OPTIONAL)
6. COPING DETAIL
7. TYPICAL VERTICAL JOINT DETAIL
8. OPTIONAL VERTICAL JOINT DETAIL (MARTLET JOINT)
9. INTERMEDIATE SUPPORT DETAIL
10. OUTSIDE CORNER DETAIL (OPEN CORNER)
11. OUTSIDE CORNER DETAIL (CLOSED CORNER)
12. OUTSIDE CORNER DETAIL (SQUARED CORNER)
13. OUTSIDE CORNER DETAIL (CHAMFERED CORNER)
14. OUTSIDE CORNER DETAIL (2MM BIRDS BEAK MITER CORNER)
15. INSIDE CORNER DETAIL
16. WINDOW SILL DETAIL
17. WINDOW HEAD DETAIL
18. WINDOW JAMB DETAIL
19. WINDOW JAMB DETAIL (CANTILEVERED)
20. RAILS

SUBSTRATE: VARIES

INSULATION: BY OTHERS (ALL)

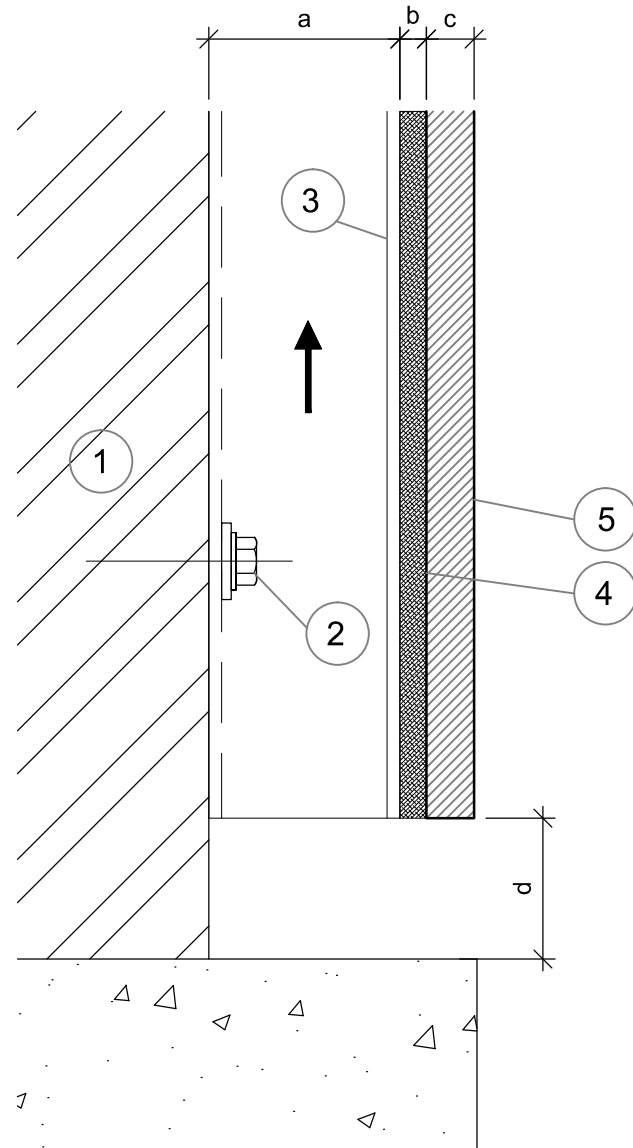
CLADDING: PETRARCH PANEL

DATE: 09-02-2021

GIRT ORIENTATION: VERTICAL

**COVER PAGE**

NOT TO SCALE



Items	
1	Substrate (By Others)
2	Primary fixing will vary subject to substrate composition
3	Aluminum or Steel sub-framing
4	Adhesive-refer to manufacturers instructions $\frac{1}{8}$ "
5	Petrarch Cladding panel

Dimensions	
a	1" Cavity
b	$\frac{1}{8}$ " Adhesive depth & $\frac{1}{8}$ " Foam tape
c	$\frac{1}{4}$ " Panel nominal thickness (7 mm)
d	2" From grade or $\frac{3}{4}$ " from flashing or concrete
* Note! dimension may vary due to the shimming requirement for plumbing and alignment of rails	

SUBSTRATE: VARIES

INSULATION: BY OTHERS (ALL)

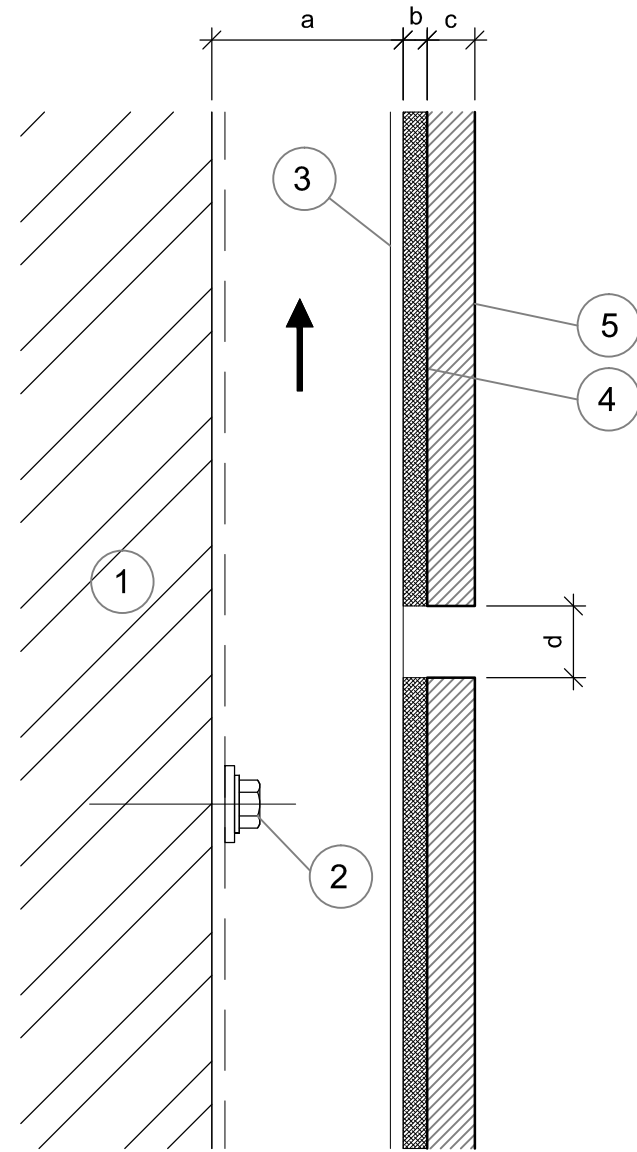
CLADDING: PETRARCH PANEL

DATE: 09-02-2021

GIRT ORIENTATION: VERTICAL

**BASE DETAIL**

NOT TO SCALE



Items	
1	Substrate (By Others)
2	Primary fixing will vary subject to substrate composition
3	Aluminum or Steel sub-framing
4	Adhesive-refer to manufacturers instructions $\frac{1}{8}$ "
5	Petrarch Cladding panel

Dimensions	
a	1" Cavity
b	$\frac{1}{8}$ " Adhesive depth & $\frac{1}{8}$ " Foam tape
c	$\frac{1}{4}$ " Panel nominal thickness (7 mm)
d	$\frac{3}{8}$ " Panel Joint

\* Note! dimension may vary due to the shimming requirement for plumbing and alignment of rails

SUBSTRATE: VARIES

INSULATION: BY OTHERS (ALL)

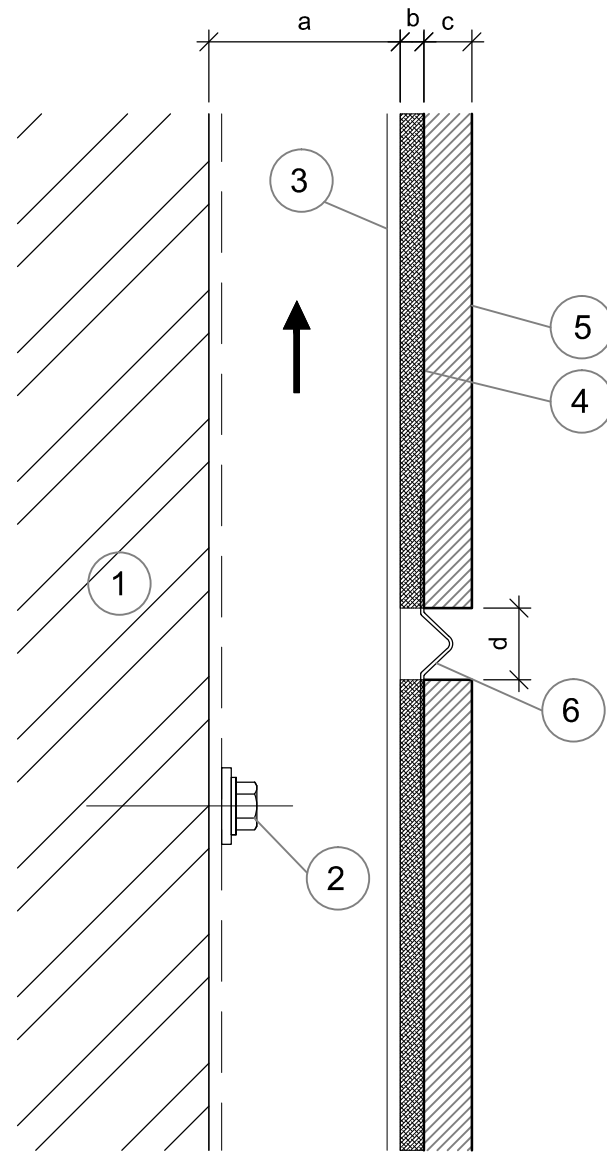
CLADDING: PETRARCH PANEL

DATE: 09-02-2021

GIRT ORIENTATION: VERTICAL

TYPICAL HORIZONTAL JOINT DETAIL

NOT TO SCALE



OPTIONAL DETAIL

Items	
1	Substrate (By Others)
2	Primary fixing will vary subject to substrate composition
3	Aluminum or Steel sub-framing
4	Adhesive-refer to manufacturers instructions $\frac{1}{8}$ "
5	Petrarch Cladding panel
6	Birds Beak Profile (Optional)

Dimensions	
a	1" Cavity
b	$\frac{1}{8}$ " Adhesive depth & $\frac{1}{8}$ " Foam tape
c	$\frac{1}{4}$ " Panel nominal thickness (7 mm)
d	$\frac{3}{8}$ " Panel Joint

\* Note! dimension may vary due to the shimming requirement for plumbing and alignment of rails

SUBSTRATE: VARIES

INSULATION: BY OTHERS (ALL)

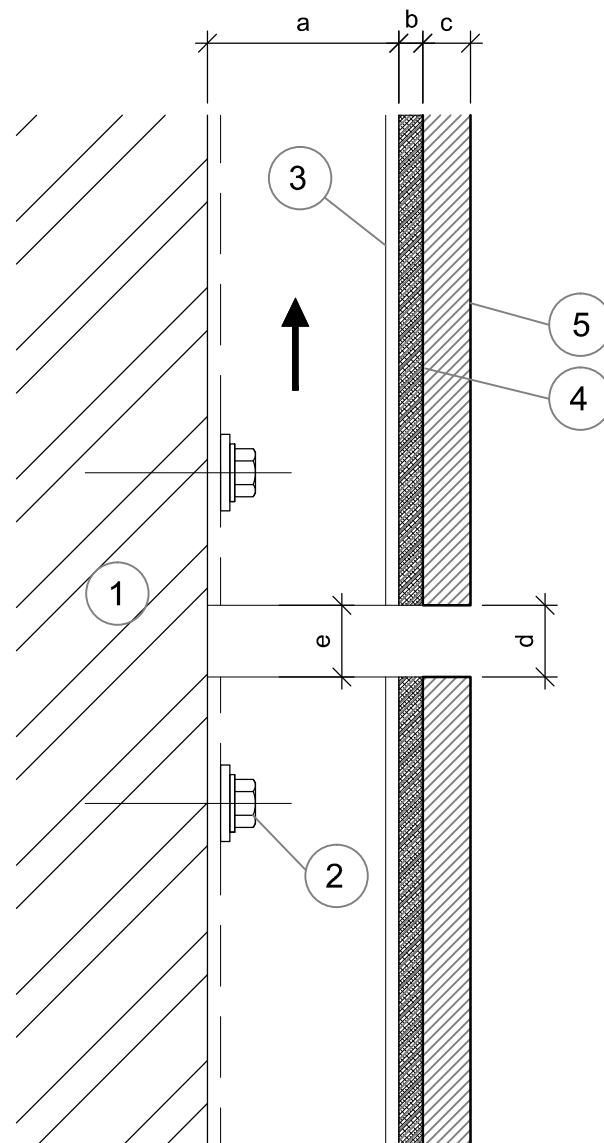
CLADDING: PETRARCH PANEL

DATE: 09-02-2021

GIRT ORIENTATION: VERTICAL

OPTIONAL HORIZONTAL JOINT BIRDS BEAK PROFILE DETAIL

NOT TO SCALE



Items	
1	Substrate (By Others)
2	Primary fixing will vary subject to substrate composition
3	Aluminum or Steel sub-framing
4	Adhesive-refer to manufacturers instructions $\frac{1}{8}$ "
5	Petrarch Cladding panel

Dimensions	
a	1" Cavity
b	$\frac{1}{8}$ " Adhesive depth & $\frac{1}{8}$ " Foam tape
c	$\frac{1}{4}$ " Panel nominal thickness (7 mm)
d	$\frac{3}{8}$ " Panel Joint
e	$\frac{3}{8}$ " Rail Joint

\* Note! dimension may vary due to the shimming requirement for plumbing and alignment of rails

SUBSTRATE: VARIES

INSULATION: BY OTHERS (ALL)

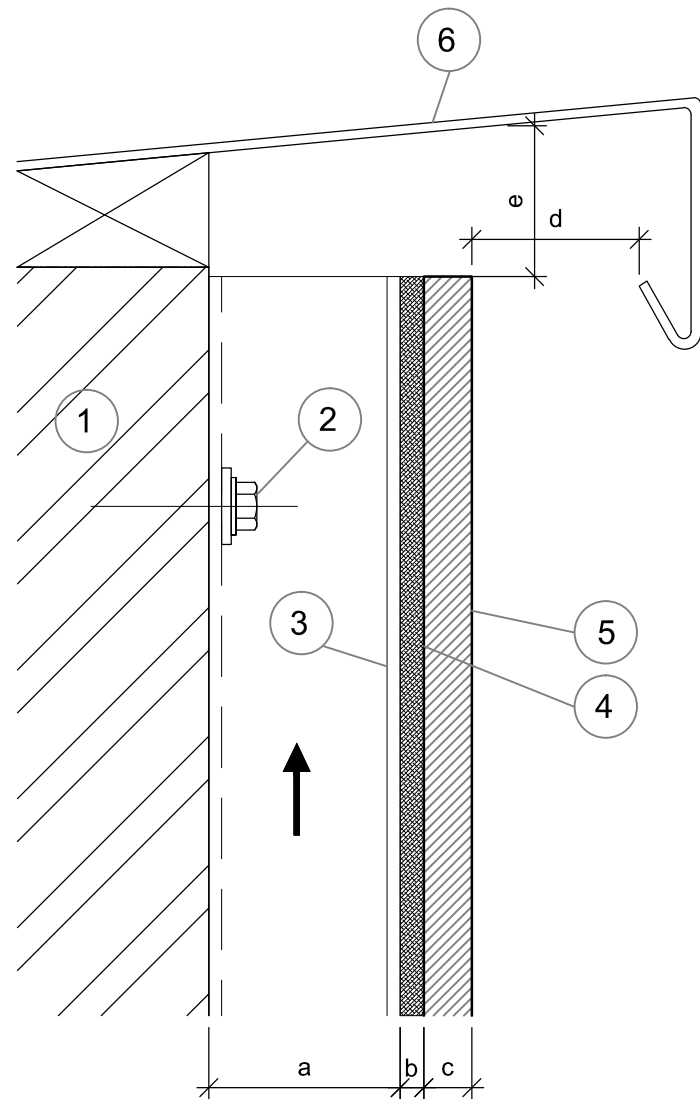
CLADDING: PETRARCH PANEL

DATE: 09-02-2021

GIRT ORIENTATION: VERTICAL

TYPICAL HORIZONTAL JOINT AND RAIL JOINT DETAIL

NOT TO SCALE



Items	
1	Substrate (By Others)
2	Primary fixing will vary subject to substrate composition
3	Aluminum or Steel sub-framing
4	Adhesive-refer to manufacturers instructions $\frac{1}{8}$ "
5	Petrarch Cladding panel
6	Coping detail to project requirement (By Others)

Dimensions	
a	1" Cavity
b	$\frac{1}{8}$ " Adhesive depth & $\frac{1}{8}$ " Foam tape
c	$\frac{1}{4}$ " Panel nominal thickness (7 mm)
d	$\frac{3}{4}$ " Panel to flashing distance
e	$\frac{3}{4}$ " Distance

\* Note! dimension may vary due to the shimming requirement for plumbing and alignment of rails

SUBSTRATE: VARIES

INSULATION: BY OTHERS (ALL)

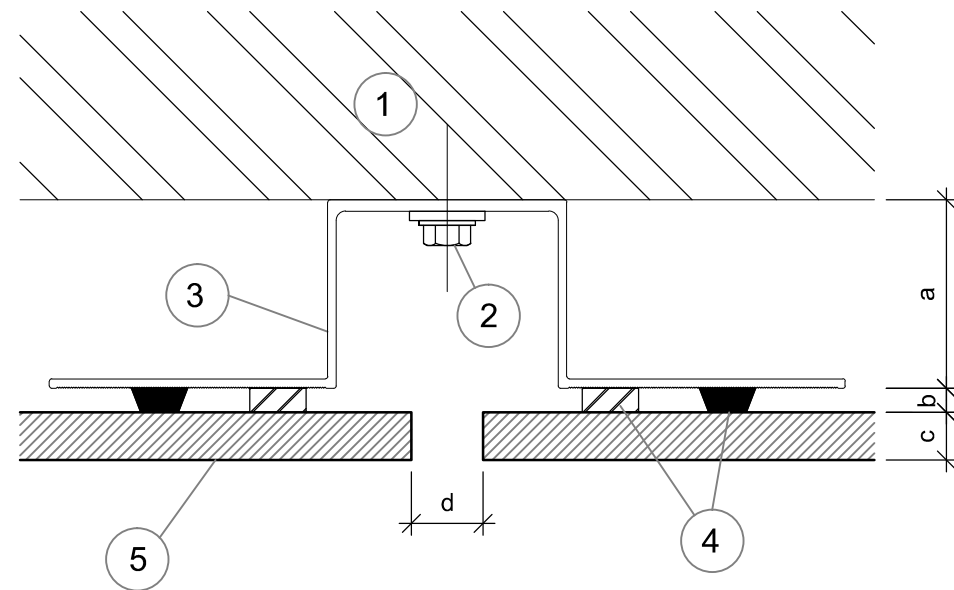
CLADDING: PETRARCH PANEL

DATE: 09-02-2021

GIRT ORIENTATION: VERTICAL

**COPING DETAIL**

NOT TO SCALE



Items	
1	Substrate (By Others)
2	Primary fixing will vary subject to substrate composition
3	Aluminum or Steel sub-framing
4	Adhesive-refer to manufacturers instructions $\frac{1}{8}$ "
5	Petrarch Cladding panel

Dimensions	
a	1" Cavity
b	$\frac{1}{8}$ " Adhesive depth & $\frac{1}{8}$ " Foam tape
c	$\frac{1}{4}$ " Panel nominal thickness (7 mm)
d	$\frac{3}{8}$ " Panel joint

\* Note! dimension may vary due to the shimming requirement for plumbing and alignment of rails

SUBSTRATE: VARIES

INSULATION: BY OTHERS (ALL)

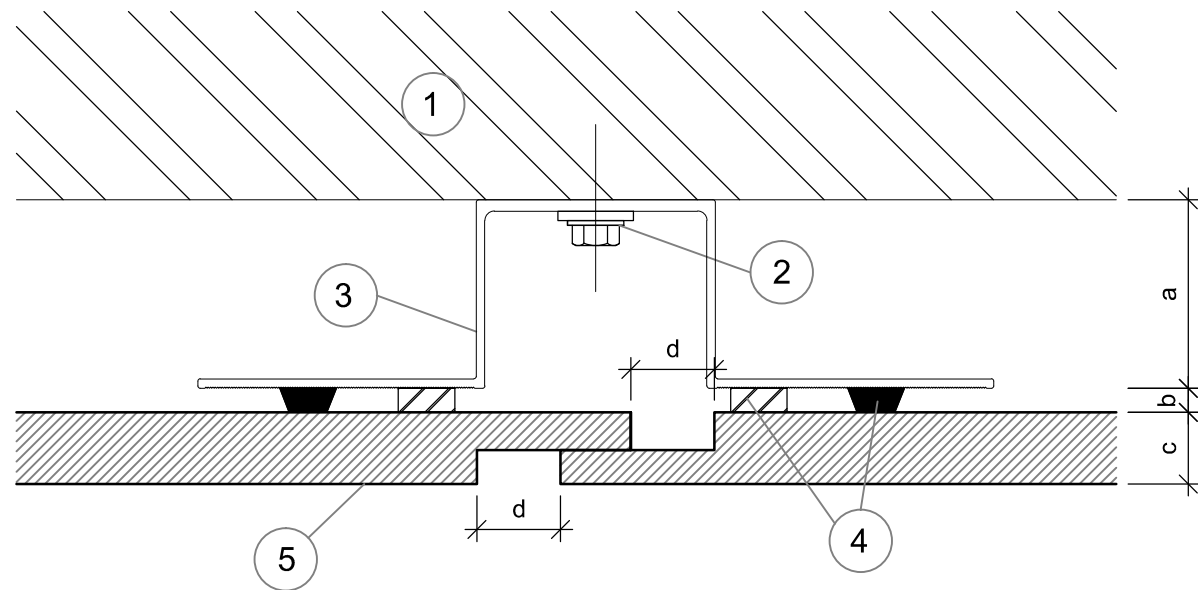
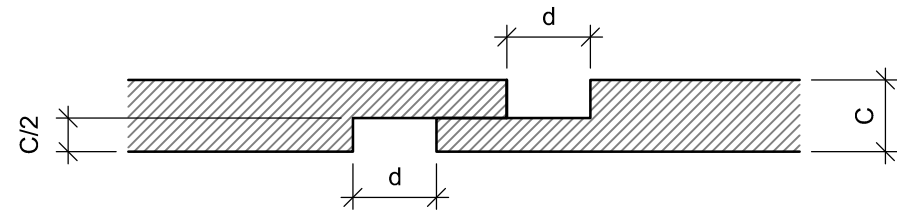
CLADDING: PETRARCH PANEL

DATE: 09-02-2021

GIRT ORIENTATION: VERTICAL

TYPICAL VERTICAL JOINT DETAIL

NOT TO SCALE



**OPTIONAL DETAIL ( APPLICABLE IN 10 MM PANELS ONLY )**

Items	
1	Substrate (By Others)
2	Primary fixing will vary subject to substrate composition
3	Aluminum or Steel sub-framing
4	Adhesive-refer to manufacturers instructions 1/8"
5	Petrarch Cladding panel

Dimensions	
a	1" Cavity
b	1/8" Adhesive depth & 1/8" Foam tape
c	Min. 3/8" Panel nominal thickness (10 mm)
d	3/8" Panel joint
* Note! dimension may vary due to the shimming requirement for plumbing and alignment of rails	

SUBSTRATE: VARIES

INSULATION: BY OTHERS (ALL)

CLADDING: PETRARCH PANEL

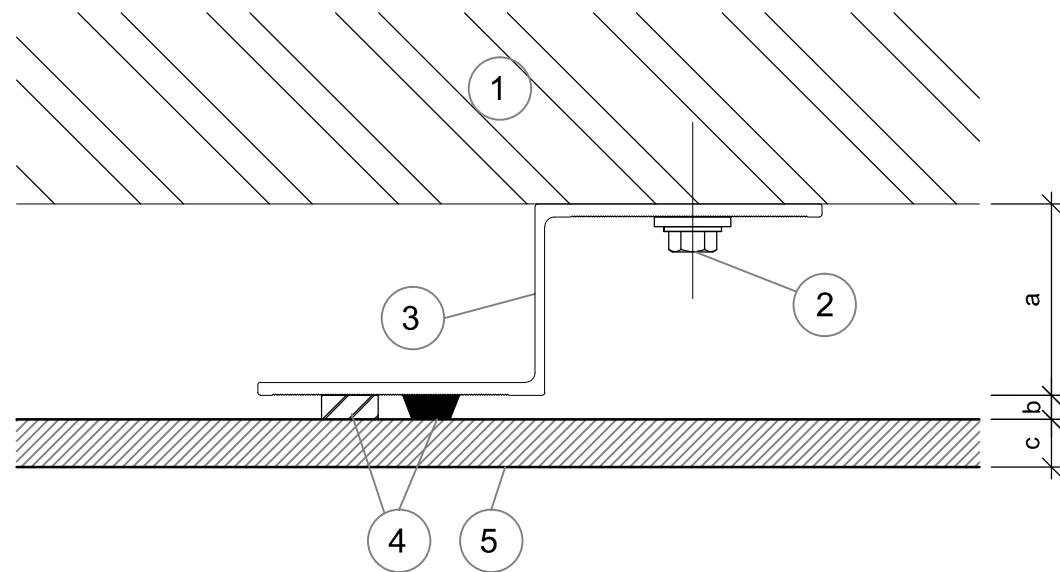
DATE: 09-02-2021

GIRT ORIENTATION: VERTICAL

OPTIONAL VERTICAL JOINT DETAIL (MARTLET JOINT)

NOT TO SCALE





Items	
1	Substrate (By Others)
2	Primary fixing will vary subject to substrate composition
3	Aluminum or Steel sub-framing
4	Adhesive-refer to manufacturers instructions $\frac{1}{8}$ "
5	Petrarch Cladding panel

Dimensions	
a	1" Cavity
b	$\frac{1}{8}$ " Adhesive depth & $\frac{1}{8}$ " Foam tape
c	$\frac{1}{4}$ " Panel nominal thickness (7 mm)

\* Note! dimension may vary due to the shimming requirement for plumbing and alignment of rails

SUBSTRATE: VARIES

INSULATION: BY OTHERS (ALL)

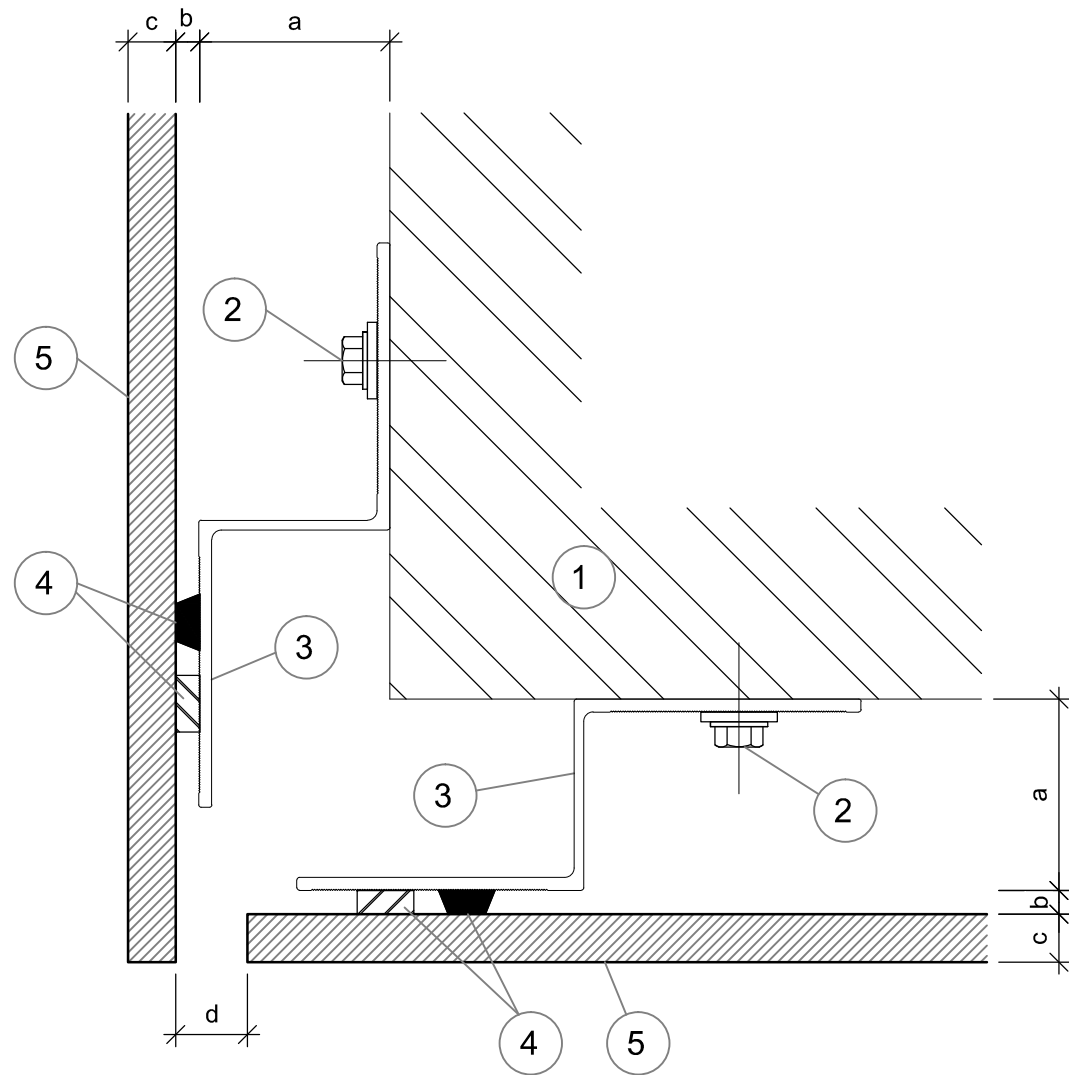
CLADDING: PETRARCH PANEL

DATE: 09-02-2021

GIRT ORIENTATION: VERTICAL

INTERMEDIATE SUPPORT DETAIL

NOT TO SCALE



Items	
1	Substrate (By Others)
2	Primary fixing will vary subject to substrate composition
3	Aluminum or Steel sub-framing
4	Adhesive-refer to manufacturers instructions $\frac{1}{8}$ "
5	Petrarch Cladding panel

Dimensions	
a	1" Cavity
b	$\frac{1}{8}$ " Adhesive depth & $\frac{1}{8}$ " Foam tape
c	$\frac{1}{4}$ " Panel nominal thickness (7 mm)
d	$\frac{3}{8}$ " Panel joint

\* Note! dimension may vary due to the shimming requirement for plumbing and alignment of rails

SUBSTRATE: VARIES

INSULATION: BY OTHERS (ALL)

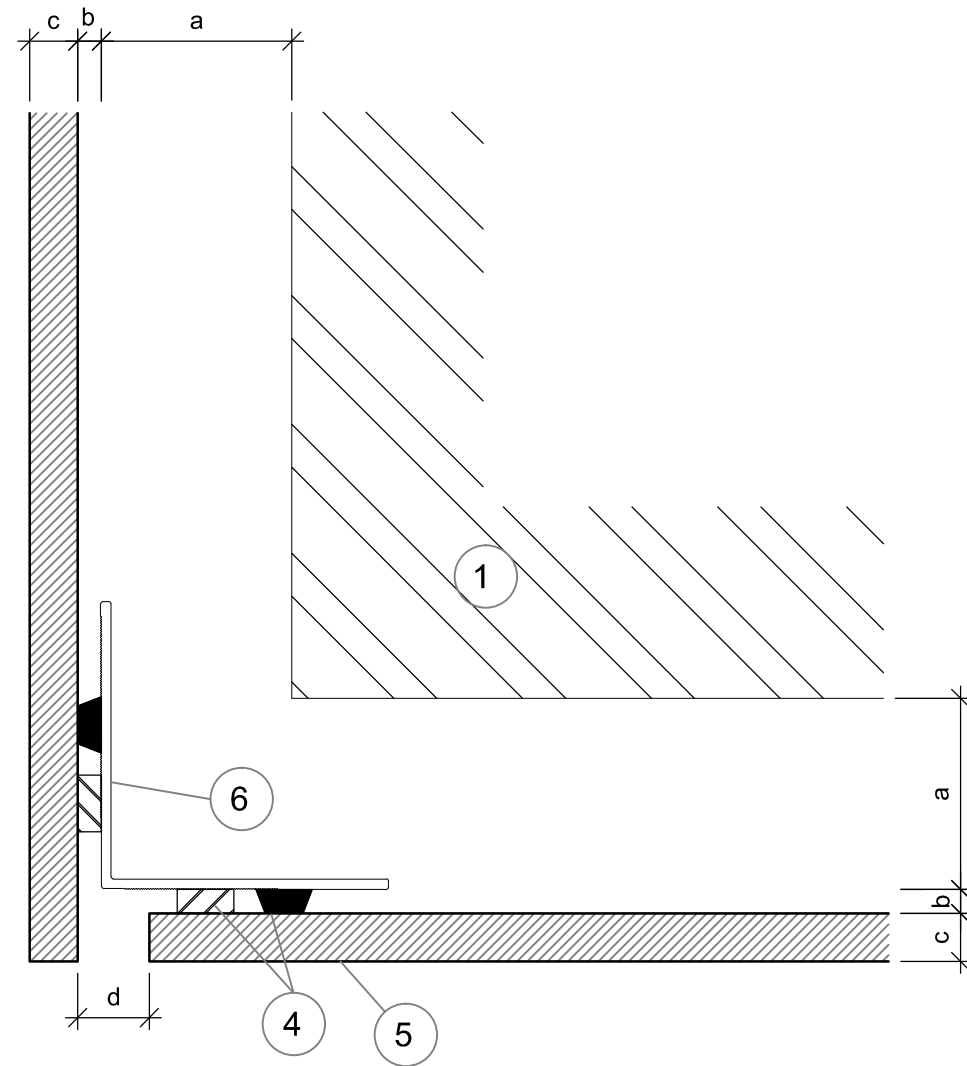
CLADDING: PETRARCH PANEL

DATE: 09-02-2021

GIRT ORIENTATION: VERTICAL

OUTSIDE CORNER DETAIL (OPEN CORNER)

NOT TO SCALE



OPTIONAL DETAIL

Items	
1	Substrate (By Others)
4	Adhesive-refer to manufacturers instructions $\frac{1}{8}$ "
5	Petrarch Cladding panel
6	Prefinished L-angle for adhered corner

Dimensions	
a	1" Cavity
b	$\frac{1}{8}$ " Adhesive depth & $\frac{1}{8}$ " Foam tape
c	$\frac{1}{4}$ " Panel nominal thickness (7 mm)
d	$\frac{3}{8}$ " Panel joint

\* Note! dimension may vary due to the shimming requirement for plumbing and alignment of rails

SUBSTRATE: VARIES

INSULATION: BY OTHERS (ALL)

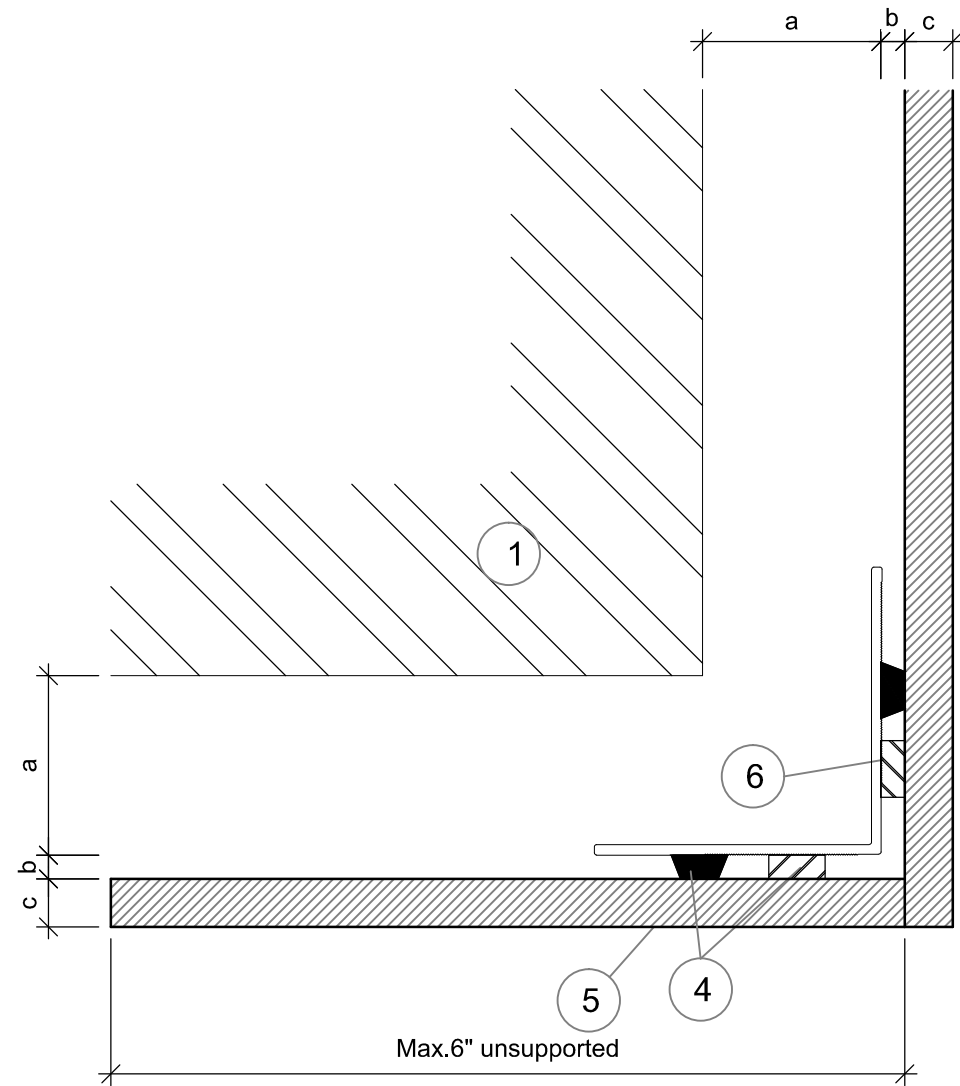
CLADDING: PETRARCH PANEL

DATE: 09-02-2021

GIRT ORIENTATION: VERTICAL

OUTSIDE CORNER DETAIL (CLOSED CORNER)

NOT TO SCALE



OPTIONAL DETAIL

Items	
1	Substrate (By Others)
4	Adhesive-refer to manufacturers instructions $\frac{1}{8}$ "
5	Petrarch Cladding panel
6	Prefinished L-angle for adhered corner

Dimensions	
a	1" Cavity
b	$\frac{1}{8}$ " Adhesive depth & $\frac{1}{8}$ " Foam tape
c	$\frac{1}{4}$ " Panel nominal thickness (7 mm)
* Note! dimension may vary due to the shimming requirement for plumbing and alignment of rails	

SUBSTRATE:VARIES

INSULATION: BY OTHERS (ALL)

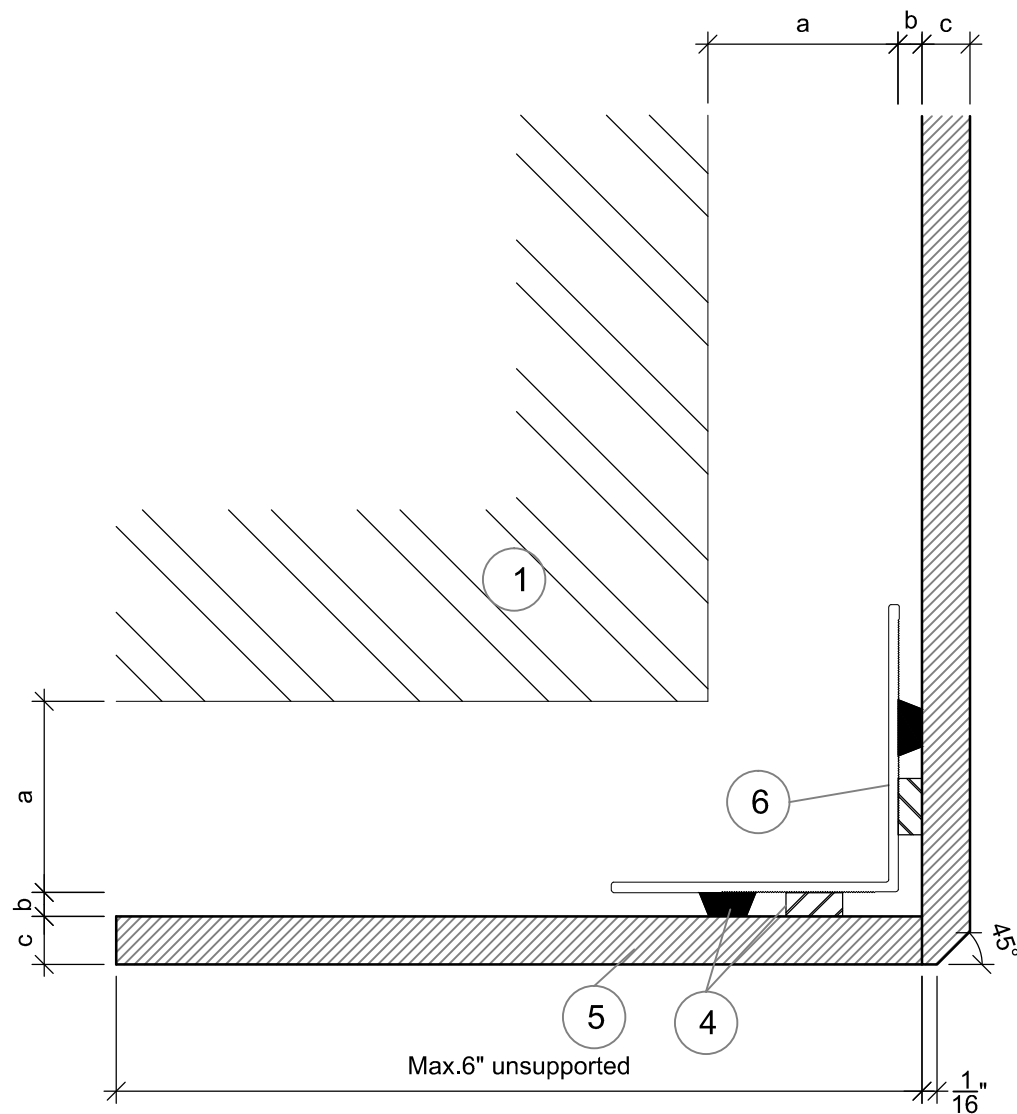
CLADDING: PETRARCH PANEL

DATE: 09-02-2021

GIRT ORIENTATION: VERTICAL

OUTSIDE CORNER DETAIL ( SQUARED CORNER ) (12)

NOT TO SCALE



OPTIONAL DETAIL

Items	
1	Substrate (By Others)
4	Adhesive-refer to manufacturers instructions $\frac{1}{8}$ "
5	Petrarch Cladding panel
6	Prefinished L-angle for adhered corner

Dimensions	
a	1" Cavity
b	$\frac{1}{8}$ " Adhesive depth & $\frac{1}{8}$ " Foam tape
c	$\frac{1}{4}$ " Panel nominal thickness (7 mm)

\* Note! dimension may vary due to the shimming requirement for plumbing and alignment of rails

SUBSTRATE: VARIES

INSULATION: BY OTHERS (ALL)

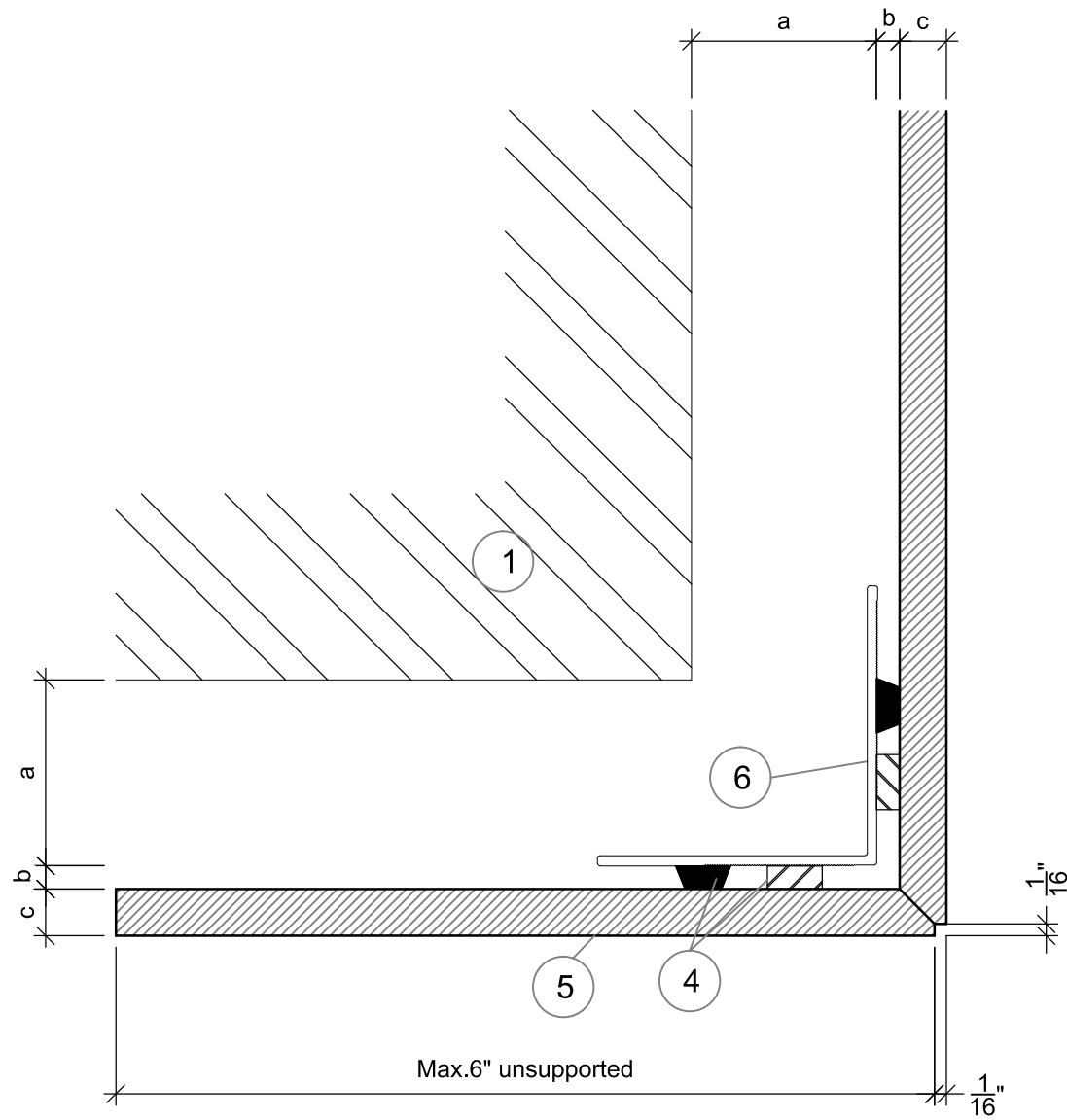
CLADDING: PETRARCH PANEL

DATE: 09-02-2021

GIRT ORIENTATION: VERTICAL

OUTSIDE CORNER DETAIL ( CHAMFERED CORNER) **13**

NOT TO SCALE



OPTIONAL DETAIL

Items	
1	Substrate (By Others)
4	Adhesive-refer to manufacturers instructions $\frac{1}{8}$ "
5	Petrarch Cladding panel
6	Prefinished L-angle for adhered corner

Dimensions	
a	1" Cavity
b	$\frac{1}{8}$ " Adhesive depth & $\frac{1}{8}$ " Foam tape
c	$\frac{1}{4}$ " Panel nominal thickness (7 mm)
* Note! dimension may vary due to the shimming requirement for plumbing and alignment of rails	

SUBSTRATE: VARIES

INSULATION: BY OTHERS (ALL)

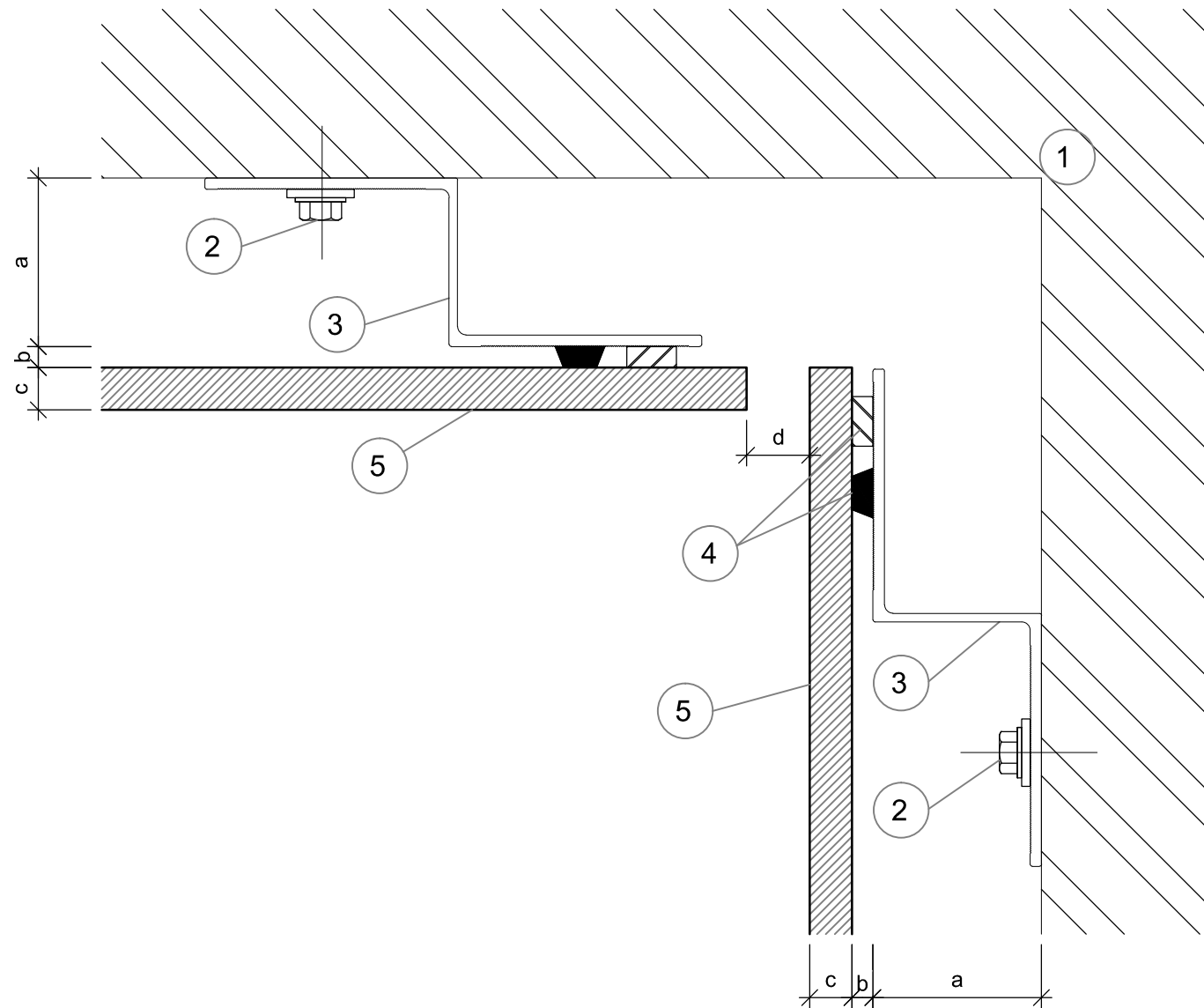
CLADDING: PETRARCH PANEL

DATE: 09-02-2021

GIRT ORIENTATION: VERTICAL

OUTSIDE CORNER DETAIL ( 2MM BIRDS BEAK MITER )

NOT TO SCALE



Items	
1	Substrate (By Others)
2	Primary fixing will vary subject to substrate composition
3	Aluminum or Steel sub-framing
4	Adhesive-refer to manufacturers instructions $\frac{1}{8}$ "
5	Petrarch Cladding panel

Dimensions	
a	1" Cavity
b	$\frac{1}{8}$ " Adhesive depth & $\frac{1}{8}$ " Foam tape
c	$\frac{1}{4}$ " Panel nominal thickness (7 mm)
d	$\frac{3}{8}$ " Panel joint
* Note! dimension may vary due to the shimming requirement for plumbing and alignment of rails	

SUBSTRATE: VARIES

INSULATION: BY OTHERS (ALL)

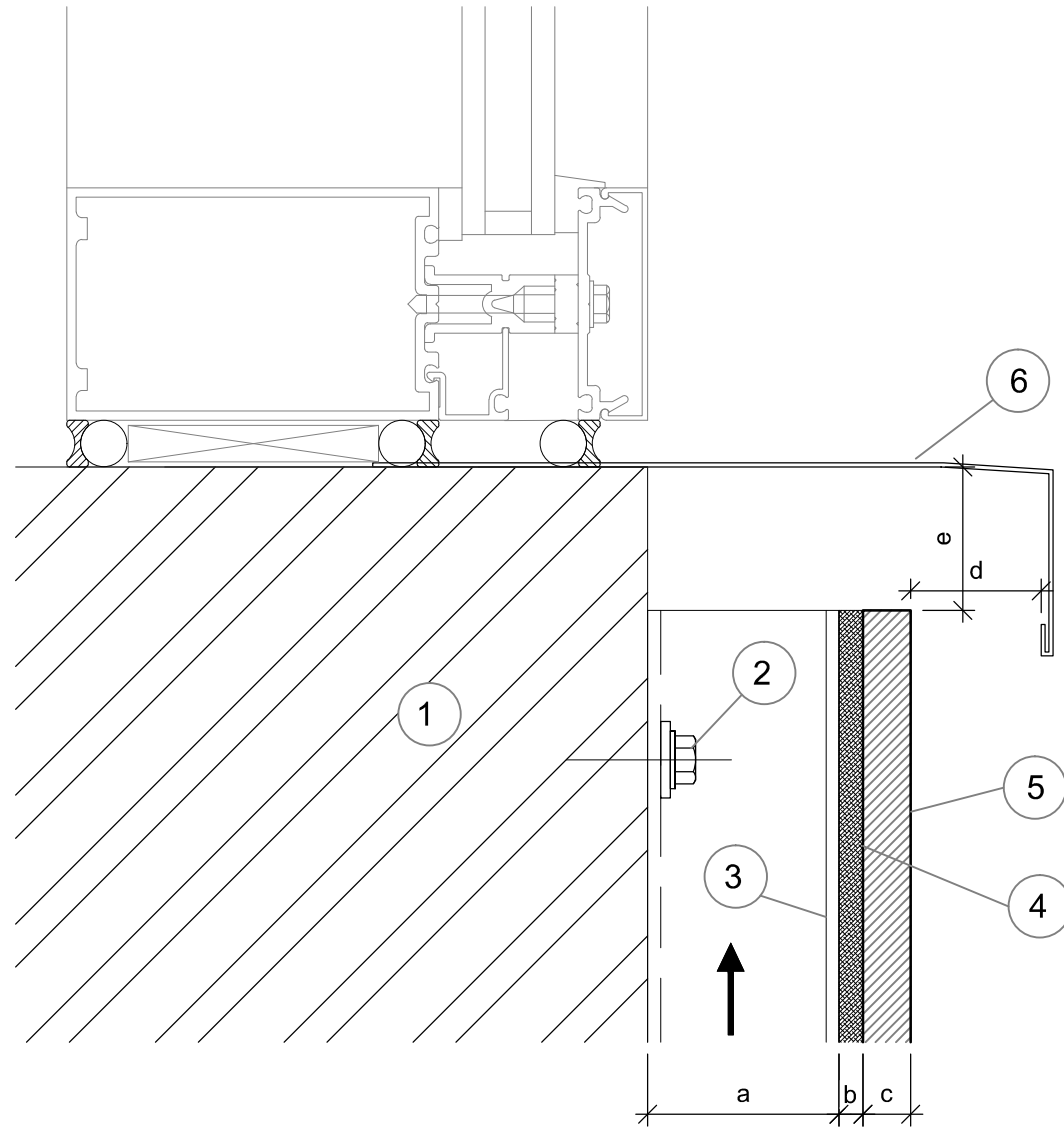
CLADDING: PETRARCH PANEL

DATE: 09-02-2021

GIRT ORIENTATION: VERTICAL

INSIDE CORNER DETAIL

NOT TO SCALE



Items	
1	Substrate (By Others)
2	Primary fixing will vary subject to substrate composition
3	Aluminum or Steel sub-framing
4	Adhesive-refer to manufacturers instructions $\frac{1}{8}$ "
5	Petrarch Cladding panel
6	Window detail to project requirement (By Others)

Dimensions	
a	1" Cavity
b	$\frac{1}{8}$ " Adhesive depth & $\frac{1}{8}$ " Foam tape
c	$\frac{1}{4}$ " Panel nominal thickness (7 mm)
d	$\frac{3}{4}$ " Panel to flashing distance
e	$\frac{3}{4}$ " Distance

\* Note! dimension may vary due to the shimming requirement for plumbing and alignment of rails

SUBSTRATE: VARIES

INSULATION: BY OTHERS (ALL)

CLADDING: PETRARCH PANEL

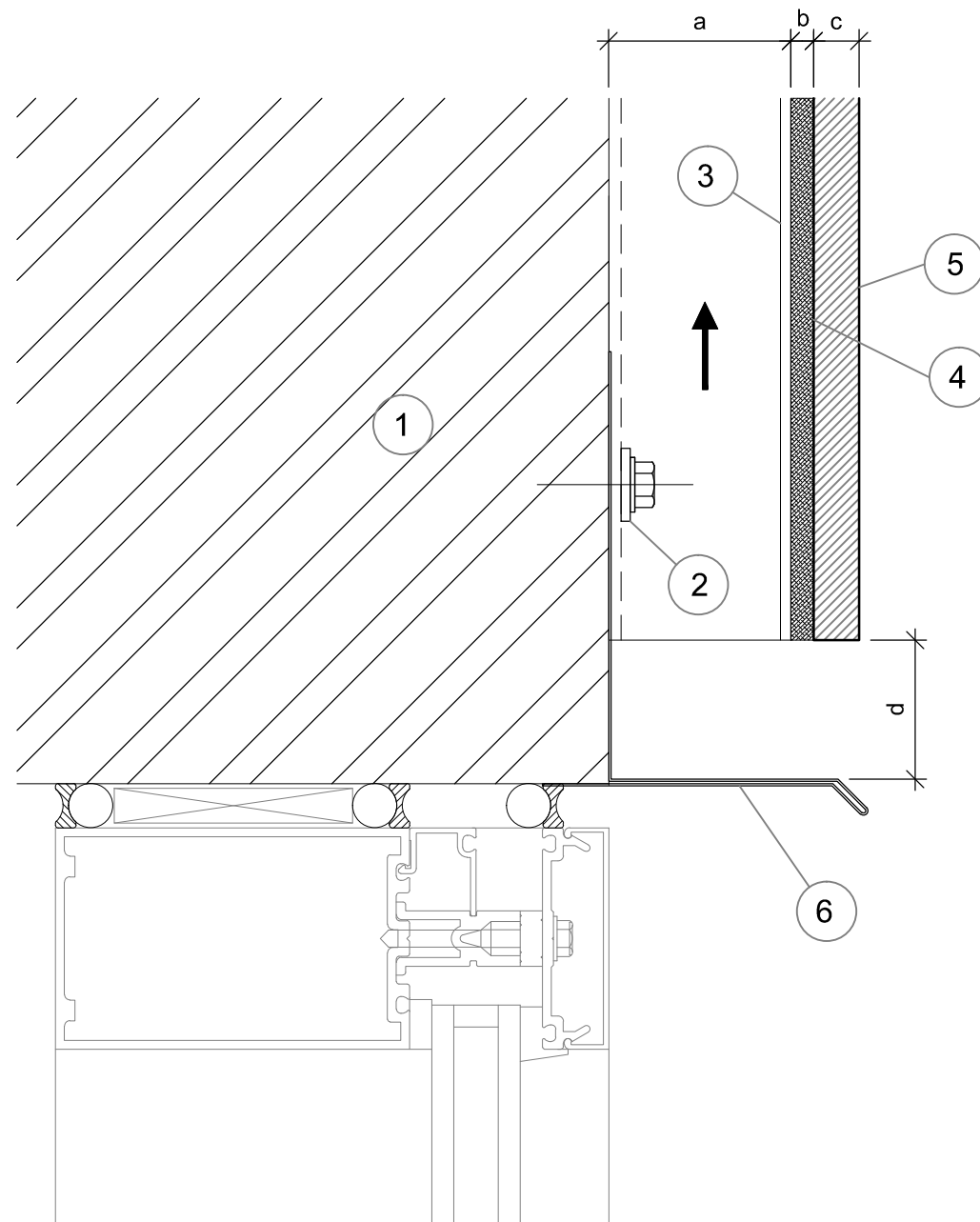
DATE: 09-02-2021

GIRT ORIENTATION: VERTICAL

WINDOW SILL DETAIL

NOT TO SCALE





Items	
1	Substrate (By Others)
2	Primary fixing will vary subject to substrate composition
3	Aluminum or Steel sub-framing
4	Adhesive-refer to manufacturers instructions $\frac{1}{8}$ "
5	Petrarch Cladding panel
6	Window detail to project requirement (By Others)

Dimensions	
a	1" Cavity
b	$\frac{1}{8}$ " Adhesive depth & $\frac{1}{8}$ " Foam tape
c	$\frac{1}{4}$ " Panel nominal thickness (7 mm)
d	$\frac{3}{4}$ " Panel to flashing distance

\* Note! dimension may vary due to the shimming requirement for plumbing and alignment of rails

SUBSTRATE: VARIES

INSULATION: BY OTHERS (ALL)

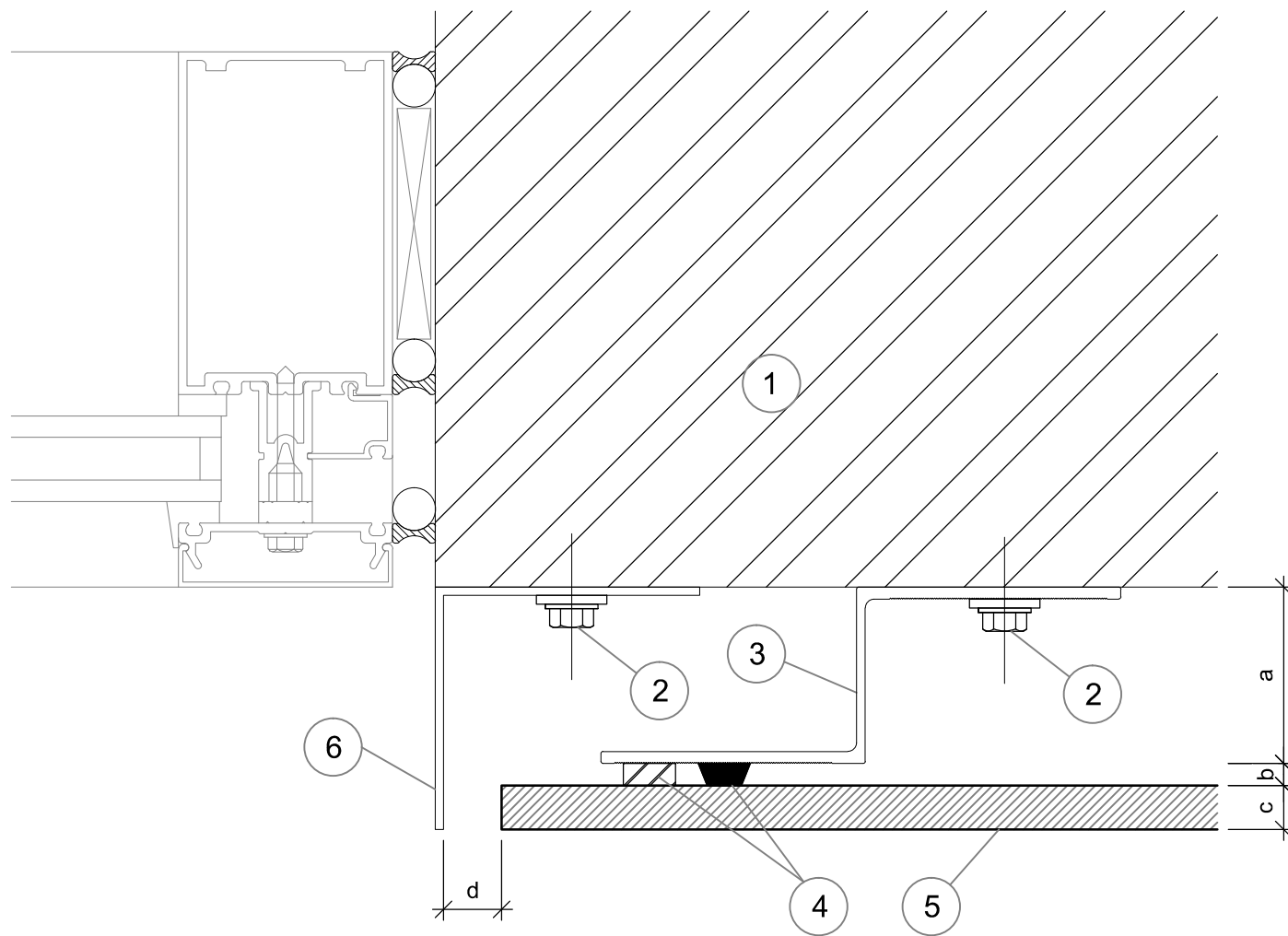
CLADDING: PETRARCH PANEL

DATE: 09-02-2021

GIRT ORIENTATION: VERTICAL

WINDOW HEAD DETAIL

NOT TO SCALE



Items	
1	Substrate (By Others)
2	Primary fixing will vary subject to substrate composition
3	Aluminum or Steel sub-framing
4	Adhesive-refer to manufacturers instructions $\frac{1}{8}$ "
5	Petrarch Cladding panel
6	Window detail to project requirement (By Others)

Dimensions	
a	1" Cavity
b	$\frac{1}{8}$ " Adhesive depth & $\frac{1}{8}$ " Foam tape
c	$\frac{1}{4}$ " Panel nominal thickness (7 mm)
d	$\frac{3}{8}$ " Panel to flashing distance

\* Note! dimension may vary due to the shimming requirement for plumbing and alignment of rails

SUBSTRATE: VARIES

INSULATION: BY OTHERS (ALL)

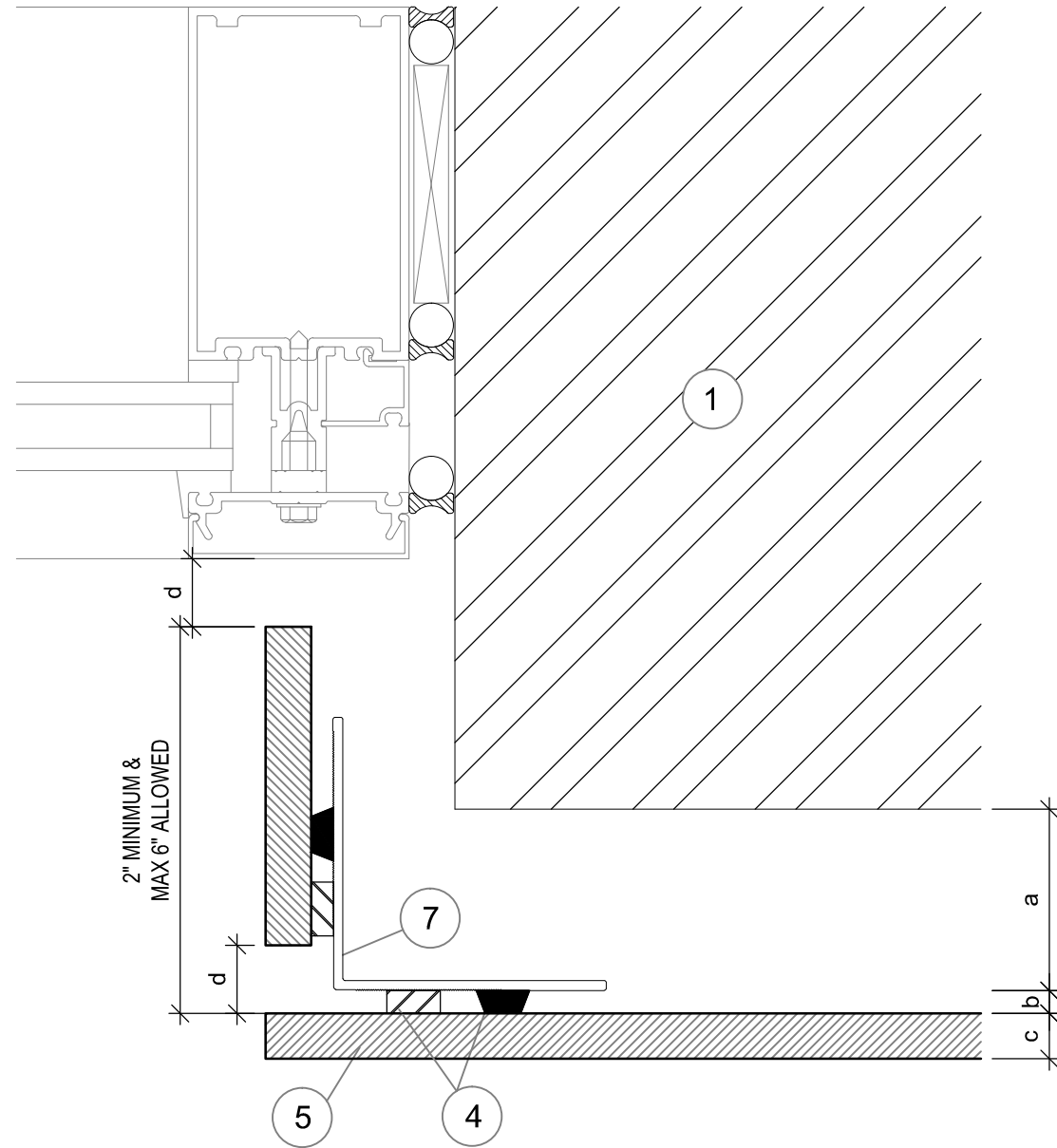
CLADDING: PETRARCH PANEL

DATE: 09-02-2021

GIRT ORIENTATION: VERTICAL

WINDOW JAMB DETAIL

NOT TO SCALE



OPTIONAL DETAIL

Items	
1	Substrate (By Others)
4	Adhesive-refer to manufacturers instructions $\frac{1}{8}$ "
5	Petrarch Cladding panel
7	Prefinished L-angle for adhered corner

Dimensions	
a	1" Cavity
b	$\frac{1}{8}$ " Adhesive depth & $\frac{1}{8}$ " Foam tape
c	$\frac{1}{4}$ " Panel nominal thickness (7 mm)
d	$\frac{3}{8}$ " Panel to flashing distance

\* Note! dimension may vary due to the shimming requirement for plumbing and alignment of rails

SUBSTRATE: VARIES

INSULATION: BY OTHERS (ALL)

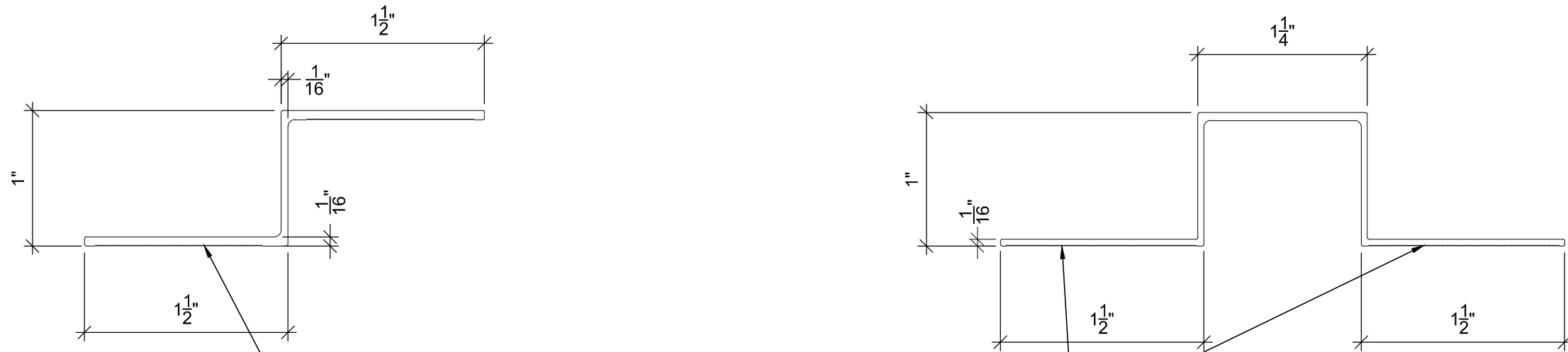
CLADDING: PETRARCH PANEL

DATE: 09-02-2021

GIRT ORIENTATION: VERTICAL

WINDOW JAMB DETAIL (CANTILEVERED)

NOT TO SCALE



DIMENSIONS WILL VARY FROM VARIOUS PROVIDERS OF FRAMING.  
PLEASE CONFIRM FRAMING LEGS ARE AT LEAST 1 1/2" WIDE TO MEET THE  
MINIMUM REQUIREMENTS OF THE ADHESIVE MANUFACTURER.

SUBSTRATE: VARIES

INSULATION: BY OTHERS (ALL)

CLADDING: PETRARCH PANEL

DATE: 09-02-2021

GIRT ORIENTATION: VERTICAL

**RAILS**

NOT TO SCALE